

eNotice Inviting Tender (NIT)

The Director, International Centre for Automotive Technology (ICAT), a division of the National Automotive Board (NAB), Govt. of India, hereby invites tenders through CPPP in a two-bid system for “Fabrication and delivery of test fixtures required for the for the air suspension test at the Fatigue Lab in ICAT Centre 1, Manesar (Haryana), as per the following details:

Tender Activity Schedule

Job Description	Fabrication and delivery of test fixtures required for the air suspension test at the Fatigue Lab in ICAT Centre 1, Manesar (Haryana),
Scope of Work/Services	As Per Annexure “B”
Eligibility Criteria	<p>Minimum Eligibility Criteria: The bidder whose bid meet the following eligibility criteria would only be considered</p> <ul style="list-style-type: none"> • Legal Valid Entity: The bidder shall be legal The bidder shall necessarily be a legal valid entity either in the form of Proprietary Firm, Partnership Firm, Private Limited Company • Bidder should be comply with the complete technical requirement given in the Annexure B.
Evaluation Criteria	It is mandatory for the bidder to comply with the complete technical requirement given in the bid document. In the event the bidder does not comply with the technical requirement, he shall be disqualified and any deviation proposed on technical requirement from the bidder end will not be considered at all. Disqualified bidders will not be eligible to make any claim. Those bidders who meet our technical requirements will be moved forward for financial evaluation. The order would be awarded to the L1 bidder among the technically qualified bidders.
Payment Terms	100% Payment within 15 days from the date of completion of good quality work and submission of Invoice at ICAT Site.
Delivery/Completion Period	30 Days from the date of Issuance PO.
Liquidity Damages	0.5% of the final Contract Price Per Week beyond the completion date up to a maximum of 10% of the total contract price.
Price Validity	6 Months
Delivery Terms	For Up to ICAT Centre – 1
Delivery Site	International Centre For Automotive Technology (Centre – 1), Plot No. 26, Sector – 3, Near HSIIDC, IMT Manesar, Gurgaon 122050 GST No. 06AABAN9435G2ZI

Billing Address	International Centre For Automotive Technology (Centre – 1), Plot No. 26, Sector – 3, Near HSIIDC, IMT Manesar, Gurgaon 122050 GST No. 06AABAN9435G2ZI
<p>Bidder must comply to the provision of:</p> <p>a) Rule 144 (xi) of GFR 2017 (refer Office Memorandum of Department of Expenditure dated 23rd July 2020 and as revised from time to time (enclose declaration to this effect with the technical bid as per format given in Annexure C) https://doe.gov.in/sites/default/files/OM%20dated%2023.07.2020.pdf)</p> <p>b) Department of Industrial Policy and Promotion (DIPP) vide No. P-45021/2/2017-PP (BE-II) dated 04.06.2020 and as revised from time to time (enclose declaration to this effect with the technical bid as per format given in Annexure C) https://dpiit.gov.in/sites/default/files/PPP%20MII%20Order%20dated%204th%20June%202020.pdf)</p>	
<p>Note: ICAT reserves the right to reject/modify/cancel the tender without assigning any reason thereof.</p>	

Annexure A

Proposal invited for the fabrication and delivery of test fixtures required for the air suspension test at the Fatigue Lab in ICAT Centre 1, Manesar (Haryana).

Evaluation Criteria:

- All the items should be quoted compulsorily by the interested bidders, if not then the bidder will be disqualified without further notice.
- It is mandatory for the bidder to comply with the complete technical specification given in the bid document. In the event the bidder does not comply with the technical specification, he shall be disqualified and any deviation proposed on technical specification from the bidder end will not be considered at all. Disqualified bidders will not be eligible to make any claim. Those bidders who meet our technical requirements will be moved forward for financial evaluation. The order would be awarded to the L1 bidder among the technically qualified bidders.
- ICAT reserve the right to reject any or all the tenders in part of full without assigning any reason thereof. The ICAT also reserves the right to negotiate the rates and terms & conditions with any or all the bidders at its sole discretion as deemed fit without assigning any reasons thereof.
- The job order shall be placed on single bidder for complete material of Annexure “B” the basis of lowest consolidated values.
- The comparison of the bids shall be on basis of total price (Inclusive of all taxes etc) quoted by the bidder. No comparison of individual item will be made the individual item charge is only for reference purpose of this office.

ICAT Terms & Conditions

- **Delivery Period: 30 Days** from the date of PO.
- **Liquidity Damages/Penalty for Delay:** The material should be delivered strictly as per time limits specified in the purchase order, if L1 bidder fail to complete the delivery within the stipulated time will make L1 bidder will liable to pay an unconditional penalty of ½% (Half Percent) total order value per week delay subjected to a maximum of 10% (Ten Percent) of the total order value.
- **Qualification Criteria:** The bidder whose bid meets the technical specification given above would only be considered (As per conditions mentioned in Evaluation Criteria).
- **Payment:** 100% Payment within 15 days against the date of completion of good quality work and submission of Invoice at ICAT Site.
- **Delivery Terms:** FOR ICAT Site (Inclusive of Packing, Forwarding, Transportation and Unloading of Equipment at ICAT Project Site)

Annexure-B

Technical Bid for “Fabrication and delivery of test fixtures required for the air suspension test at the Fatigue Lab in ICAT Centre 1, Manesar (Haryana).

Sr. No.	Scope of Work	Qty
1	Ball Upper Plate (As per attached drawings)	02 No.
2	Ball Lower Plate (As per attached drawings)	02 No.
3	Beam Block Adaptor (As per attached drawings)	02 No.
4	Swing Side Plate	02 No.

For or any technical queries please feel free to contact the undersigned:

Mr. Danish Mohmmad – FTL Department

Contact No. +91 7982213667

Mail ID: danish.mohmmad@icat.in

For or any financial queries please feel free to contact the undersigned:

Mr. Shambhu Thakur – Purchase Department

Contact No. +91 8076253991

Mail ID: shambhu.thakur@icat.in

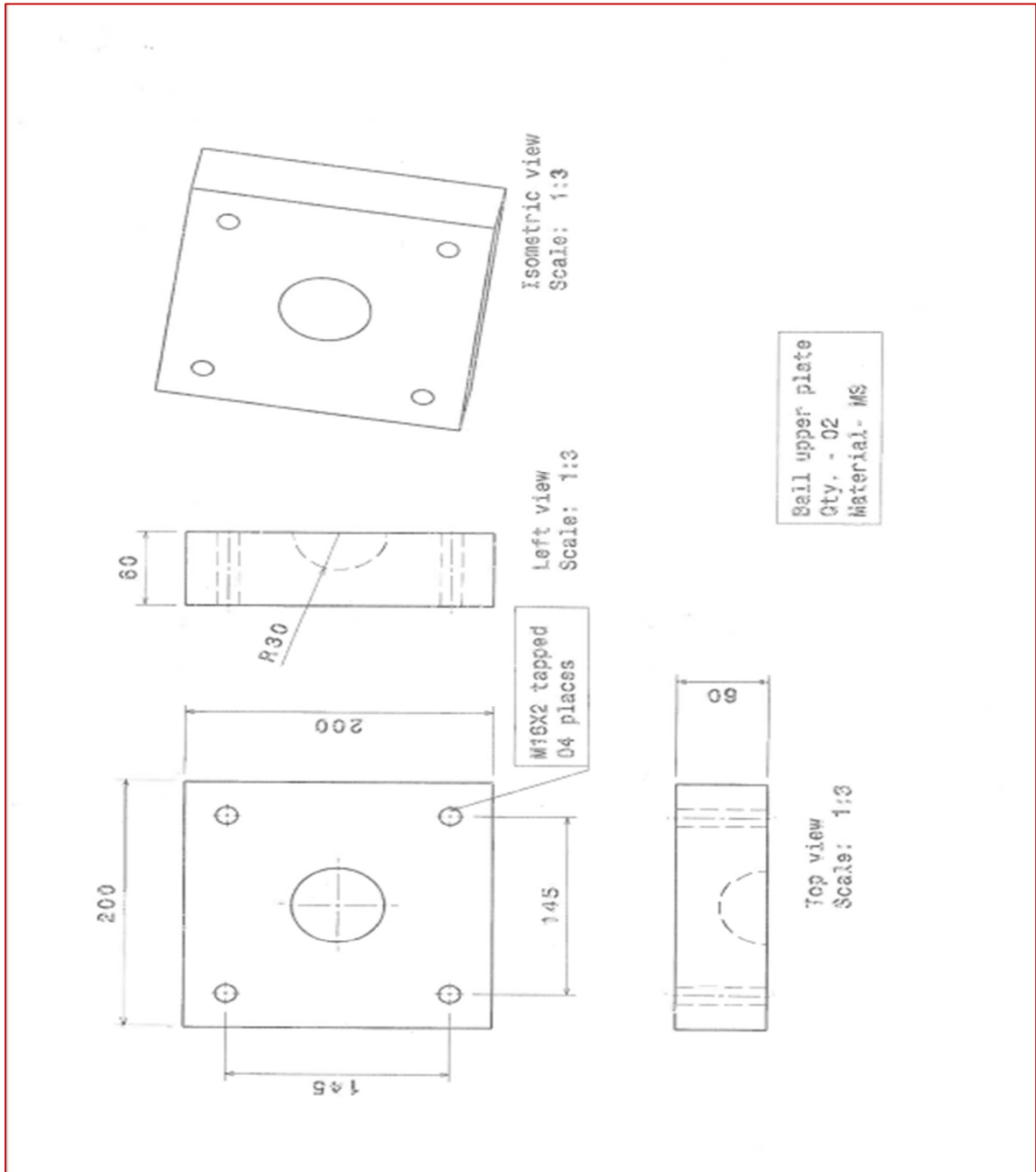
International Centre for Automotive Technology (ICAT)

Plot No. - 26, Sector-3, HSIIDC, IMT Manesar, Gurgaon-122050, Haryana, India

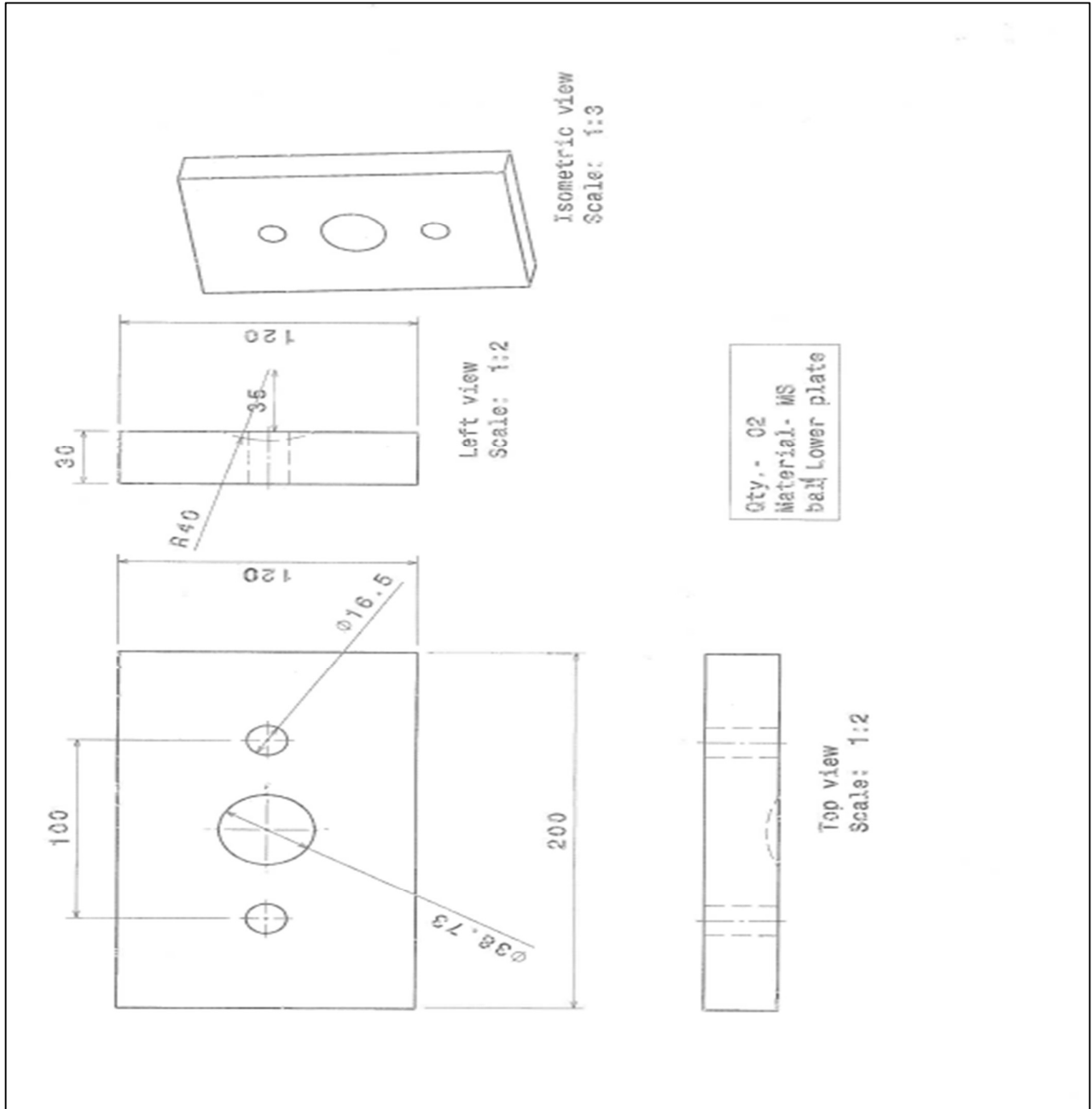
Phone: +91-124-4586-111, FAX: +91-124-2290005, Email: purchase@icat.in,

Website www.icat.in

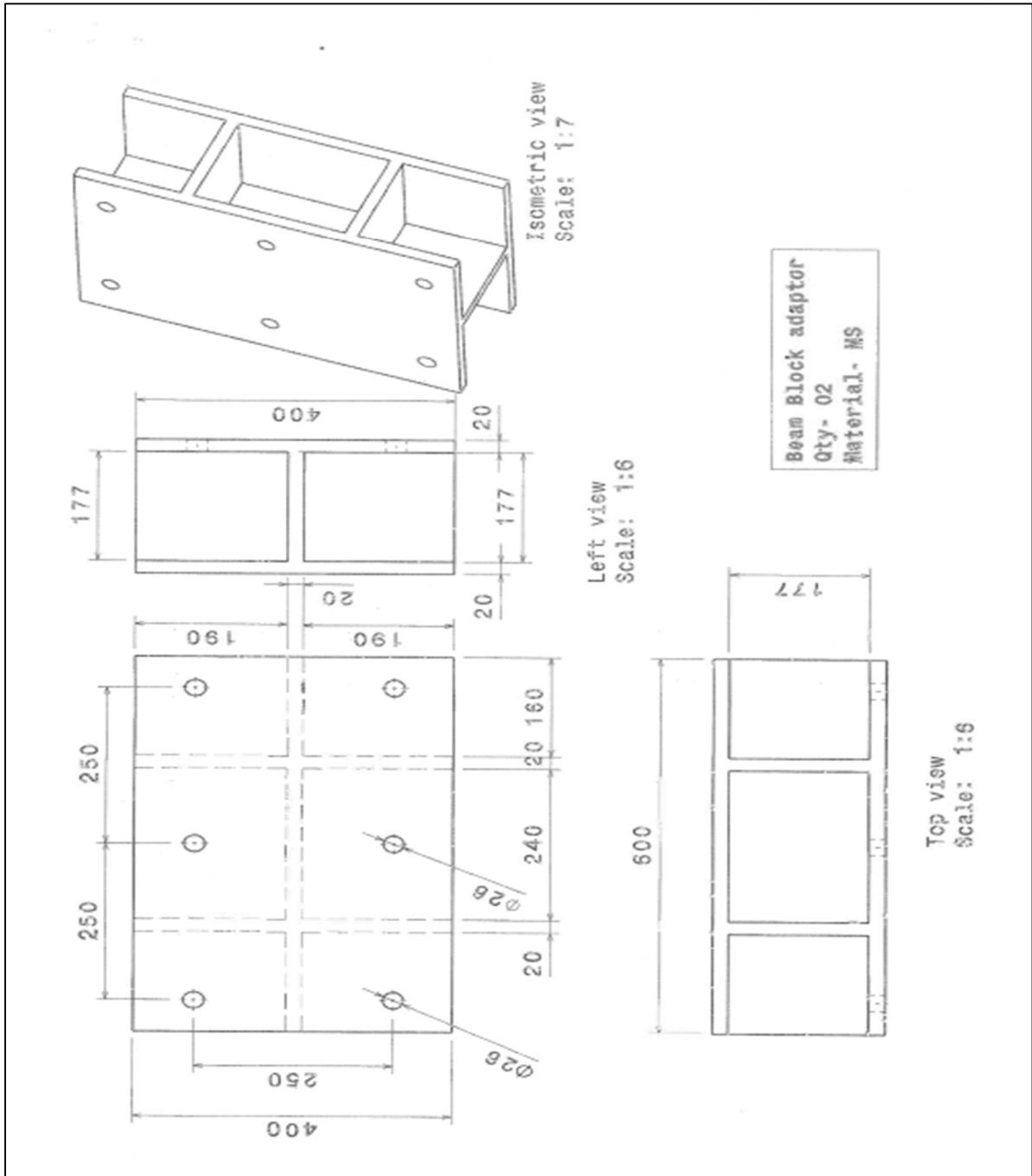
Annexure-B-1



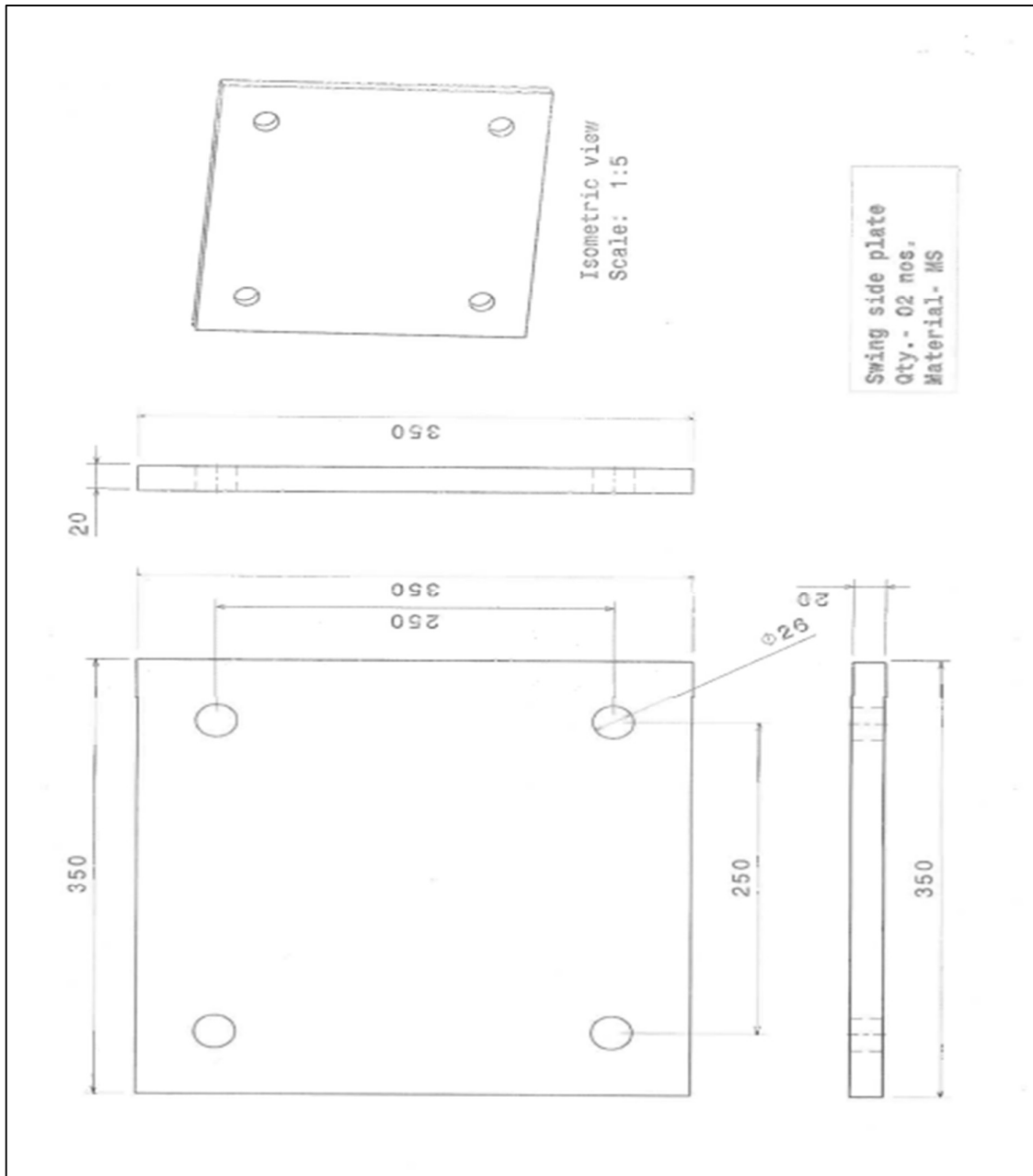
Annexure-B-1 (Continued)



Annexure-B-1 (Continued)



Annexure-B-1 (Continued)



Annexure-C

{Format for **each** of the Declarations to be typed on bidder's letter head separately and to be submitted in the tender document}

DECLARATION -1

(Declaration regarding Make in India)

In line with Government Public Procurement Order No. P-45021/2/2017-BE-II dt. 15.06.2017 & P-45021/2/2017-PP (BE-II) dated 28.05.2018, we hereby certify that we M/s _____ (supplier name) are local supplier meeting the requirement of minimum local content (____%) as defined in above orders against Tender/Enquiry No. _____

Details of location at which local value addition will be made is as follows:

(Signature of the bidder with seal/ rubber stamp)

DECLARATION-2

(Declaration regarding compliance of Rule 144 (xi) of GFR 2017)

"I/We have read the clause regarding restrictions on procurement/sub-contracting from an entity/natural person/agent/consortium/Joint venture having beneficial ownership in countries which share land border with India. I/We certify that neither we are not from such a country nor having any beneficial ownership from such a country. If I/We from such a country or having beneficial ownership, are registered with the competent authority. I/We hereby certify that we fulfill all requirements in this regard and are eligible to be considered. [Where applicable, evidence of valid registration by the Competent Authority shall be attached.]"

Authorized Signatory

* We also understand, false declarations will be in breach of the Code of Integrity under Rule 175(1)(i)(h) of the General Financial Rules for which a bidder or its successors can be debarred for up to two years as per Rule 151 (iii) of the General Financial Rules and would be a ground for immediate termination and further legal action in accordance with law.

VENDOR INFORMATION FORM (VIF)

Bidders are requested to fill up this VIF & submit along with their bids.

Name of the Firm	
Nature of Business (Product/Services)	
Company Category (Micro Unit/Small Unit/Medium Unit/Ancillary Unit/SSI) (Please enclose relevant self-attested photocopy of Certificates)	
Company's Legal Status (Proprietor/Limited Company/Undertaking/Joint Venture/Partnership/Others)	
Bidder Type (Indian/Foreign)	
Full Address of Registered Office with Postal Code	
Telephone Numbers(Mobile & Landline)	
Fax Numbers	
Email Address	
Contact Person	
Name of the Proprietor/Partners, Address, Mobile No.	
D.O.B.	
Registration No. for registration under Companies Act 1956. (Please enclose self-attested photocopy of Certificates)	
Company Establishment Year	
PAN	
GST	
Bidder Bank A/C No.(Attach Bankers certificate of account maintenance for last two years)	
Name of the Bank	
Bank Address	
Branch Code	
IFSC Code	