

eNotice Inviting Tender (NIT)

NIT No.: ICAT-T-CTL-SIP Fixture-2023-24-137

Date-14th December 2023

The Director, International Centre for Automotive Technology (ICAT), a division of National Automotive Board (NAB), Govt. of India, hereby invites sealed bid for “Fabrication of Seat Index Point (SIP) Fixture as per IS 11113 : 1999” at ICAT Centre - 1, Manesar as per following details:

Tender Activity Schedule

Job Description	Fabrication of Seat Index Point (SIP) Fixture as per IS 11113 : 1999 at ICAT Centre -1, Manesar (Haryana)
Scope of Work/Services	As Per Annexure “B”
Eligibility Criteria	<p>Minimum Eligibility Criteria: The bidder whose bid meet the following eligibility criteria would only be considered</p> <ul style="list-style-type: none"> • Bidder should have a minimum experience of 3 years in fabrication works. • Legally Valid Entity -The Bidders all necessarily be a legally valid entity either in the form of Proprietary firm, Partnership firm, Private Limited Company. A proof for supporting the legal validity of the Bidder shall be submitted. • If the bidder fails to submit the authenticated documents in support of his/their credentials as specified in tender documents, his/their tender will liable to be rejected summarily.
Payment Terms	<ul style="list-style-type: none"> • After satisfactory completion of work.
Delivery/Completion Period	60 days from the date of Issuance NTP (Notice to Proceed)
Liquidity Damages	0.5% of the Final Contract Price Per Week beyond the completion date up to a maximum of 10% of the total contract price.
Price Validity	6 Months
Delivery Terms	For up to ICAT Centre-1
Contractor Guarantee/Warranty Period	1 Year warranty against any defect
Delivery Site	International Centre For Automotive Technology (Centre-1), Plot No. 26, Sector - 3, Near HSIIDC, IMT Manesar, Gurgaon 122050 (Haryana)
Billing Address	International Centre For Automotive Technology (Centre - 1), Plot No. 26, Sector - 3, Near HSIIDC, IMT Manesar, Gurgaon 122050 GST No. 06AABAN94352ZI
Last Date of submission of Sealed Techno-Commercial Bid	Up to 1700 Hrs. on 4th January 2024, at ICAT Centre - 1, Manesar, Gurgaon, India.

- Bidders to comply with Rule 144 (xi) of GFR 2017 (refer Office Memorandum of Department of Expenditure dated 23rd July 2020
<https://doe.gov.in/sites/default/files/OM%20dated%2023.07.2020.pdf>
- **Preference to Make in India:** As per the revised order issued by Department of Industrial Policy and Promotion (DIPP) vide No. P-45021/2/2017-PP (BE-II) dated 04.06.2020. The purchaser reserves the right to give preference to the local supplier.
<https://dpiit.gov.in/sites/default/files/PPP%20MII%20Order%20dated%204th%20une%202020.pdf>

Sealed Envelope should be marked with “**Fabrication of Seat Index Point (SIP) Fixture as per IS 11113 : 1999 at ICAT Centre -1,Manesar (Haryana)**”

Interested suppliers/service providers who meet our requirements should submit no regret techno commercial proposal along with product catalogue in a **sealed envelope latest by 4th January 2024 by 17:00 Hrs.at below given address**

*To,
The Purchase Department,
International Centre For Automotive Technology
Plot N. 26, Sector-3, HSIIDC, IMT Manesar
Gurgaon 122050 (Haryana)
Contact No. +91 8076253991*

Note: ICAT reserves the right to reject/modify/cancel the tender without assigning any reason thereof.

Annexure A

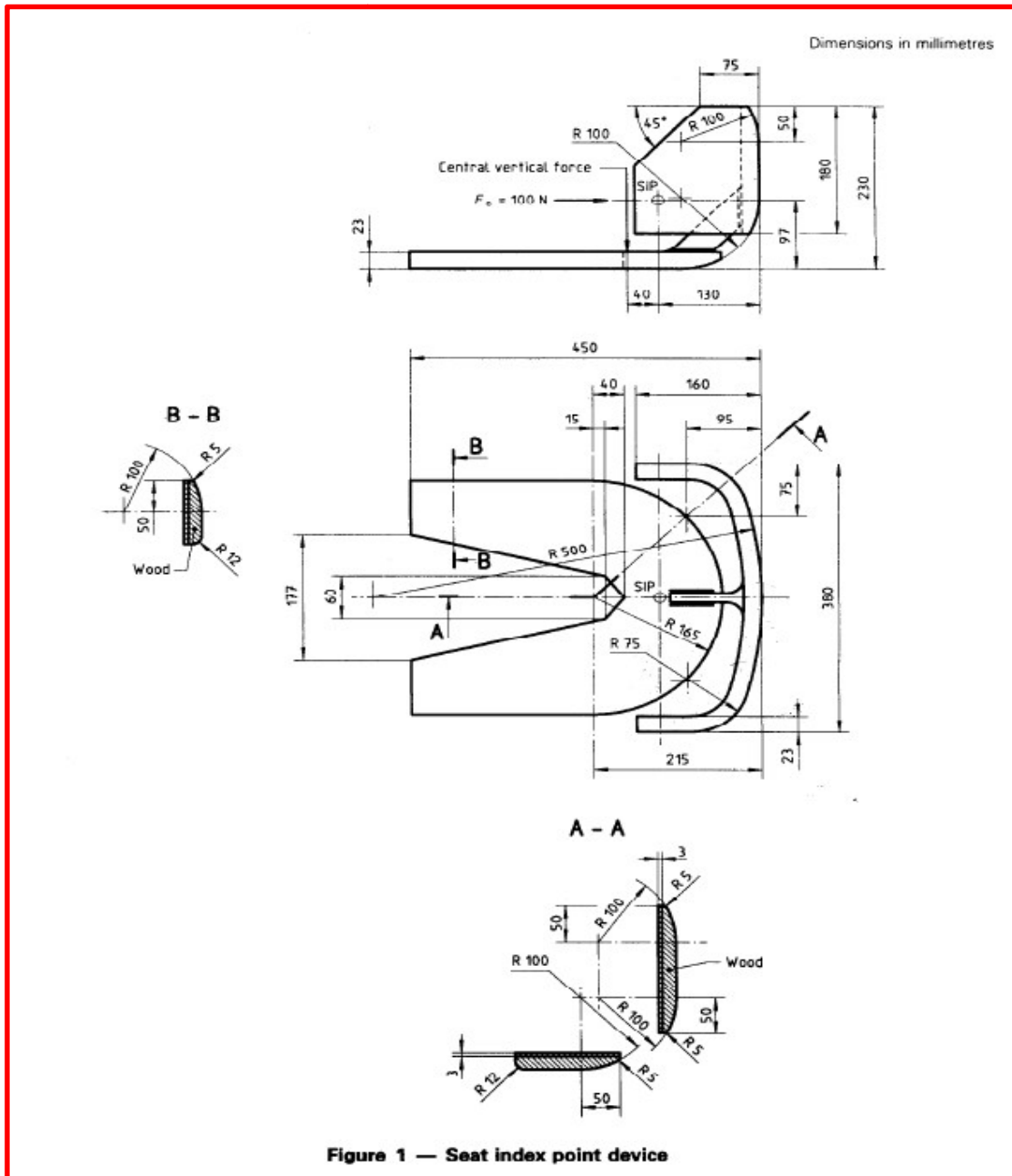
Fabrication of Seat Index Point (SIP) Fixture as per IS 11113: 1999 at ICAT Centre -1, Manesar (Haryana)

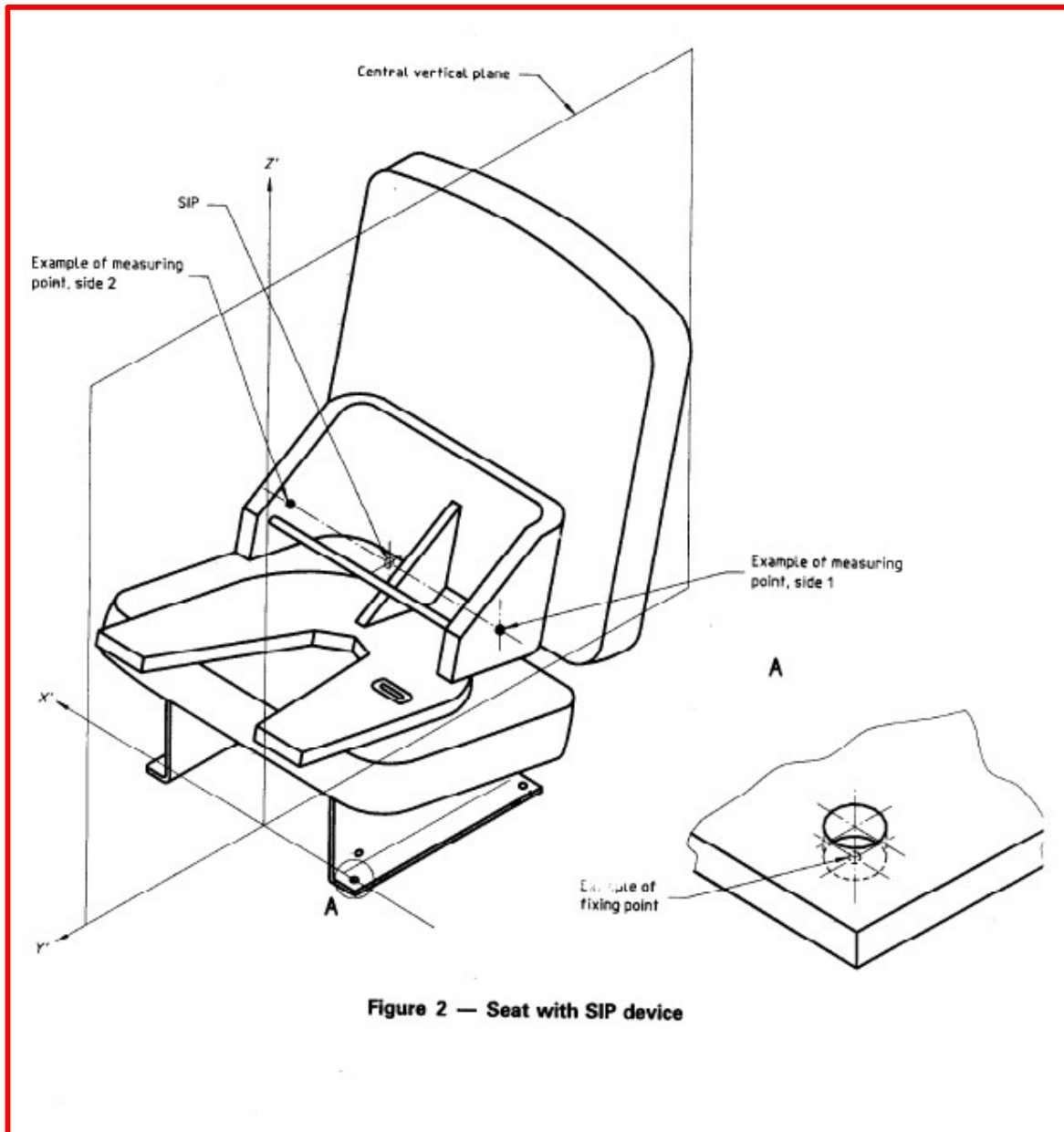
1. **Eligibility Criteria:**
 - Bidder should have a minimum experience of **3** years in fabrication work.
 - **Legally Valid Entity** -The Bidder shall necessarily be a legally valid entity either in the form of Proprietary firm, Partnership firm, Private Limited Company. A proof for supporting the legal validity of the Bidder shall be submitted.
 - If the bidder fails to submit the authenticated documents in support of his/their credentials as specified in tender documents, his/their tender will liable to be rejected summarily.
2. **General Terms & Conditions:**
 - **Sealed bid to be submitted** with filling the Attached “Annexure - C” after duly filled and signed on Letter head.
 - **Work Location: ICAT Centre - 1, Manesar**
 - **All Transportation, Accommodation and Fooding Expenses shall be borne by the bidder.**
 - **Payment shall be against bill checked & approved by engineer-in-charge after satisfactory completion of work.**
 - **ICAT reserve the right to reject any or all the tenders in part of full without assigning any reason thereof. The ICAT also reserves the right to negotiate the rates and terms & conditions with any or all the bidders at its sole discretion as deemed fit without assigning any reasons thereof.**
 - **The comparison of the bids shall be on basis of total price (Inclusive of all taxes etc) quoted by the bidder. No comparison of individual item will be made the individual item charge is only for reference purpose of this office.**
 - **Liquidity Damages/Penalty for Delay: The work shall be completed strictly as per time limits specified in the work contract/agreement failure to complete the work within the stipulated time will make you liable to an unconditional penalty of ½% (Half Percent) of the value of work per week subjected to a maximum of 10% (Ten Percent) of the work contract.**
3. **Proposal Validity Period:** Bids validity should be of at least 6 Months from the last date of submission of Bids. Any Bid having validity lower than that specified above shall be rejected by ICAT as being nonresponsive. However, ICAT may request the Bidders to extend the Bid unconditionally beyond the Bid validity period up to an additional period of **ninety (90) days** without any modification and without giving any reason thereof. Conditional extension of bid validity shall not be accepted and ICAT reserves right to reject such bid/s and proceed with the bidding process with the remaining bidders.
4. **Scope of Work :**“Fabrication of Seat Index Point (SIP) Fixture as per IS 11113 : 1999 at ICAT Centre -1, Manesar (Haryana)”as per Annexure- B
5. **Billing:** All Bills and accompanying documents should be raised and submitted in original; as per the Payment Terms, and should be accompanied by original copies of duly receipted/certified Delivery Challan/Work Progress or Completion Certificate, as applicable. No payment shall be released against any duplicate bills, work progress report or Completion Certificate or delivery challan. All applicable taxes such as GST, Service tax, Works Contract Tax shall be mentioned separately in the invoice.

Annexure B

Technical details of Seat Index Point Fixture:

1. Standard: As per IS 11113: 1999.
2. Material to be used - Hardwood (sanded with 200 or finer grit paper or equivalent and polished)
3. Mass of the device - 6 ± 1 kg
4. Dimensions & Reference Photo - Refer Figure 1 & Figure 2.





Please Note:

In case of any query related with technical aspect, please be feel free to contact to the undersigned:

Contact Person: Mr. Amol Kumar

Contact No: ++91- 9891996707

Email Address: amol.kumar@icat.in

NIT No.: ICAT-T-CTL-SIP Fixture-2023-24-137

Annexure C

Financial Bid for“Fabrication of Seat Index Point (SIP) Fixture as per IS 11113: 1999 at ICAT Centre -1, Manesar (Haryana)”

Financial Bid					
Sr. No.	Scope of Work	Quantity	Units	Unit Price (INR)	Total Value (INR)
1	Seat Index Point (SIP) Fixture as per IS 11113 : 1999				
2	Freight charges	1	Job		
Total Value (INR)					
GST%			18%		
Grand Total Inclusive of GST (INR)					

Note: It is mandatory for the bidder to comply with the complete technical requirement given in the bid document. In the event the bidder does not comply with the technical requirement, he shall be disqualified and any deviation proposed on technical requirement from the bidder end will not be considered at all. Disqualified bidders will not be eligible to make any claim. Those bidders who meet our technical requirements will be moved forward for financial evaluation. The order would be awarded to the L1 bidder among the technically qualified bidders.

Please Note:

In case of any query related with financial aspect, please be feel free to contact to the undersigned:

Financial Contact Person: Mr.Shambhu Thakur

Contact No. : 8076253991

Email Address: shambhu.thakur@icat.in

International Centre for Automotive Technology (ICAT)

Plot No. - 26, Sector-3, HSIIDC, IMT Manesar, Gurgaon-122050, Haryana, India

Phone: +91-124-4586-111, FAX: +91-124-2290005, Email: purchase@icat.in,

Website www.icat.in

Annexure-D

{Format for each of the Declarations to be typed on bidder's letter head separately and to be submitted in the tender document}

DECLARATION -1

(Declaration regarding Make in India)

In line with Government Public Procurement Order No. P-45021/2/2017-BE-II dt. 15.06.2017 & P-45021/2/2017-PP (BE-II) dated 28.05.2018, we hereby certify that we M/s _____ (supplier name) are local supplier meeting the requirement of minimum local content (_____ %) as defined in above orders against Tender/Enquiry No. _____

Details of location at which local value addition will be made is as follows:

(Signature of the bidder with seal/ rubber stamp)

DECLARATION-2

(Declaration regarding compliance of Rule 144 (xi) of GFR 2017)

"I/We have read the clause regarding restrictions on procurement/sub-contracting from an entity/natural person/agent/consortium/Joint venture having beneficial ownership in countries which share land border with India. I/We certify that neither we are not from such a country nor having any beneficial ownership from such a country. If I/We from such a country or having beneficial ownership, are registered with the competent authority. I/We hereby certify that we fulfill all requirements in this regard and are eligible to be considered. [Where applicable, evidence of valid registration by the Competent Authority shall be attached.]"

Authorized Signatory

* We also understand, false declarations will be in breach of the Code of Integrity under Rule 175(1)(i)(h) of the General Financial Rules for which a bidder or its successors can be debarred for up to two years as per Rule 151 (iii) of the General Financial Rules and would be a ground for immediate termination and further legal action in accordance with law.

VENDOR INFORMATION FORM (VIF)

Bidders are requested to fill up this VIF & submit along with their bids.

Name of the Firm	
Nature of Business (Product/Services)	
Company Category (Micro Unit/Small Unit/Medium Unit/ Ancillary Unit/SSI) (Please enclose relevant self-attested photocopy of Certificates)	
Company's Legal Status (Proprietor/Limited Company/Undertaking/Joint Venture/Partnership/Others)	
Bidder Type (Indian/Foreign)	
Full Address of Registered Office with Postal Code	
Telephone Numbers(Mobile & Landline)	
Fax Numbers	
Email Address	
Contact Person	
Name of the Proprietor/Partners, Address, Mobile No.	
D.O.B.	
Registration No. for registration under Companies Act 1956. (Please enclose self-attested photocopy of Certificates)	
Company Establishment Year	
PAN	
GST	
Bidder Bank A/C No.(Attach Bankers certificate of account maintenance for last two years)	
Name of the Bank	

Bank Address	
Branch Code	
IFSC Code	