

**eNotice Inviting Tender (NIT)**

NIT No.: ICAT-T-PE-Supply and Installation of Batteries-2023-24-16  
Manesar, 12<sup>th</sup> May, 2023

The Director, International Centre for Automotive Technology (ICAT), a division of National Automotive Board (NAB), Govt. of India, hereby invites techno-commercial bid for **“Supply & Installation of 40 Nos. of Batteries for 60 kVA Delta Make UPS in AEEL at Centre-I”** at ICAT Centre – I, Manesar as per following details:

**Tender Activity Schedule**

<b>Job Description</b>	<b>Supply &amp; Installation of 40 Nos. of Batteries for 60 kVA Delta Make UPS in AEEL at Centre-I</b>
<b>Scope of Work/Services</b>	<b>As Per Annexure “B”</b>
<b>Eligibility Criteria</b>	Minimum Eligibility Criteria: The bidder whose bid meet the following eligibility criteria would only be considered <ul style="list-style-type: none"><li>• Legal Valid Entity: The bidder shall be legal The bidder shall necessarily be a legal valid entity either in the form of Proprietary Firm, Partnership Firm, Private Limited Company</li><li>• Bidder should be comply with the complete technical requirement given in the Annexure B.</li></ul>
<b>Evaluation Criteria</b>	<b>It is mandatory for the bidder to comply with the complete technical requirement given in the bid document. In the event the bidder does not comply with the technical requirement, he shall be disqualified and any deviation proposed on technical requirement from the bidder end will not be considered at all. Disqualified bidders will not be eligible to make any claim. Those bidders who meet our technical requirements will be moved forward for financial evaluation. The order would be awarded to the L1 bidder among the technically qualified bidders.</b>
<b>Payment Terms</b>	100% Payment within <b>15 days</b> from the date of receipt of defect free material, submission of Invoice along with valid e-way bill at ICAT Site.
<b>Delivery/Completion Period</b>	<b>60 Days from the date of Issuance PO.</b>
<b>Liquidity Damages</b>	<b>0.5% of the final Contract Price Per Week beyond the completion date up to a maximum of 10% of the total contract price.</b>

<b>Bid Validity</b>	<b>3 Months</b>
<b>Delivery Terms</b>	<b>For Up to ICAT Centre - 1</b>
<b>Guarantee/Warranty Period</b>	<b>24 Months Onsite warranty against manufacturing defect from the date of receipt of material at ICAT Site.</b>
<b>Delivery Site</b>	International Centre For Automotive Technology (Centre - 1), Plot No. 26, Sector - 3, Near HSIIDC, IMT Manesar, Gurgaon 122050 GST No. 06AABAN9435G2ZI
<b>Billing Address</b>	International Centre For Automotive Technology (Centre - 1), Plot No. 26, Sector - 3, Near HSIIDC, IMT Manesar, Gurgaon 122050 GST No. 06AABAN9435G2ZI
<b>Last Date of submission of Sealed Techno-Commercial Bid</b>	<b>Up to 1700 Hrs. on 1<sup>st</sup> June' 2023, at ICAT Centre - 1, Manesar, Gurgaon, India.</b>
<ul style="list-style-type: none"> <li>Bidders to comply with Rule 144 (xi) of GFR 2017 (refer Office Memorandum of Department of Expenditure dated 23<sup>rd</sup> July 2020 <a href="https://doe.gov.in/sites/default/files/OM%20dated%2023.07.2020.pdf">https://doe.gov.in/sites/default/files/OM%20dated%2023.07.2020.pdf</a>)</li> <li><b>Preference to Make in India:</b> As per the revised order issued by Department of Industrial Policy and Promotion (DIPP) vide No. P-45021/2/2017-PP (BE-II) dated 04.06.2020. The purchaser reserves the right to give preference to the local supplier. <a href="https://dpiit.gov.in/sites/default/files/PPP%20MII%20Order%20dated%204th%20June%202020.pdf">https://dpiit.gov.in/sites/default/files/PPP%20MII%20Order%20dated%204th%20June%202020.pdf</a></li> </ul>	
<p>Sealed Envelope should be marked with <b>“Supply &amp; Installation of Batteries for 60 kVA Delta Make UPS in AEEL at Centre-I, Manesar (Haryana)”</b></p> <p>Interested suppliers/service providers who meet our requirements should submit no regret techno commercial proposal along with product catalogue in a <b><u>sealed envelope latest 1st June, 2023 by 17:00 Hrs.</u></b> at below given address</p> <p>To, The Purchase Department, International Centre For Automotive Technology Plot N. 26, Sector-3, HSIIDC, IMT Manesar Gurgaon 122050 (Haryana) Contact No. +91 9582360110</p> <p><i>Note: ICAT reserves the right to reject/modify/cancel the tender without assigning any reason thereof.</i></p>	

## Annexure A

### **Proposal Invited for Supply & Installation of 40 Nos. of Batteries for 60 kVA Delta Make UPS in AEEL at Centre-I, Manesar (Haryana)**

#### **Evaluation Criteria:**

- All the items should be quoted compulsorily by the interested bidders, if not then the bidder will be disqualified without further notice.
- It is mandatory for the bidder to comply with the complete technical specification given in the bid document. In the event the bidder does not comply with the technical specification, he shall be disqualified and any deviation proposed on technical specification from the bidder end will not be considered at all. Disqualified bidders will not be eligible to make any claim. Those bidders who meet our technical requirements will be moved forward for financial evaluation. The order would be awarded to the L1 bidder among the technically qualified bidders.
- ICAT reserve the right to reject any or all the tenders in part of full without assigning any reason thereof. The ICAT also reserves the right to negotiate the rates and terms & conditions with any or all the bidders at its sole discretion as deemed fit without assigning any reasons thereof.
- The job order shall be placed on single bidder for complete material of Annexure "B" the basis of lowest consolidated values.
- The comparison of the bids shall be on basis of total price (Inclusive of all taxes etc) quoted by the bidder. No comparison of individual item will be made the individual item charge is only for reference purpose of this office.
- Proposal Validity Period: Bids validity should be of at least 90 days from the last date of submission of Bids. Any Bid having validity lower than that specified above shall be rejected by ICAT as being nonresponsive. However, ICAT may request the Bidders to extend the Bid unconditionally beyond the Bid validity period up to an additional period of thirty (30) days without any modification and without giving any reason thereof. Conditional extension of bid validity shall not be accepted and ICAT reserves right to reject such bid/s and proceed with the bidding process with the remaining bidders.

#### **ICAT Terms & Conditions**

- **Warranty: 24 Months Onsite warranty against any manufacturing defect (As per OEM Standard Warranty).**
- **Delivery Period: 60 Days from the date of PO.**
- **Liquidity Damages/Penalty for Delay:** The material should be delivered strictly as per time limits specified in the purchase order, if L1 bidder fail to complete the delivery within the stipulated time will make L1 bidder will liable to pay an unconditional penalty of ½% (Half Percent) total order value per week delay subjected to a maximum of 10% (Ten Percent) of the total order value.
- **Qualification Criteria:** The bidder whose bid meets the technical specification given above would only be considered (As per conditions mentioned in Evaluation Criteria).
- **Payment:** 100% Payment within 15 days against receipt of defect free material, submission of Invoice along with valid e-way bill at ICAT Site.
- **Delivery Terms:** FOR ICAT Site (Inclusive of Packing, Forwarding, Transportation and Unloading of Equipment at ICAT Project Site)

Annexure-B

**Technical Specification for Supply & Installation of 40 Nos. of Batteries for 60 kVA Delta Make UPS in AEEL at Centre-I, Manesar (Haryana)**

<b>Technical Specifications</b>			
<b>PART-A</b>			
<b>Sr. No</b>	<b>Scope of Work</b>	<b>Qty</b>	<b>Units</b>
1	Scope of Supply & Installation of Battery: a) 12V, 65 AH b) Length: 351 mm, Width: 167 mm, Height: 175 mm c) Make: Exide/Amaron Quanta d) Battery Should installed in Existing Rack with existing connector in scope of supplier.	40	Nos
2	Installation & Dismantling of Batteries (40 batteries)	1	Job
3	Freight Charges (Inclusive of Packing, Forwarding, Transportation and Unloading of Material at ICAT Site)	1	L/S
<b>PART-B</b>			
<b>Sr. No.</b>	<b>Scope of Work</b>	<b>Qty</b>	<b>Units</b>
1	Old Buy Back Battery, 12V, 65 AH	40	Nos

Please Note:-

- In case of any query related with technical aspect, please be feel free to contact to the undersigned:

**Contact Person: Mr. Sudhakar Chouhan**

**Contact No: ++91- 9818964122**

**Email Address: [sudhakar.chouhan@icat.in](mailto:sudhakar.chouhan@icat.in)**

**International Centre for Automotive Technology (ICAT)**

Plot No. - 26, Sector-3, HSIIDC, IMT Manesar, Gurgaon-122050, Haryana, India  
Phone: +91-124-4586-111, FAX: +91-124-2290005, Email: [purchase@icat.in](mailto:purchase@icat.in),

Website [www.icat.in](http://www.icat.in)

# BOQ of Battery

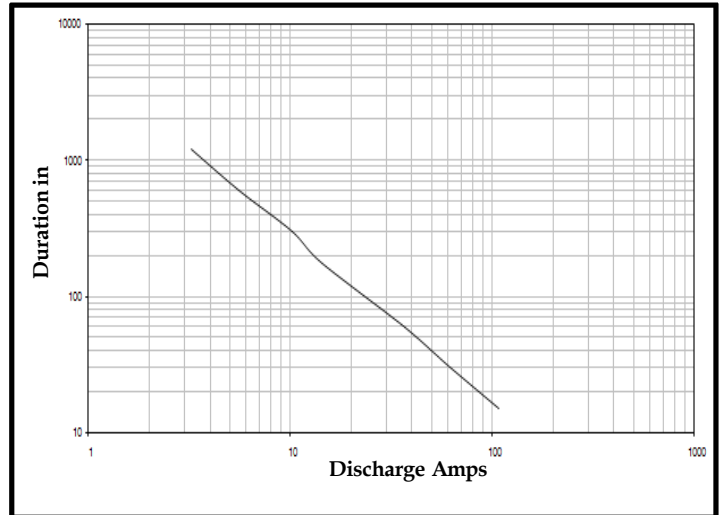
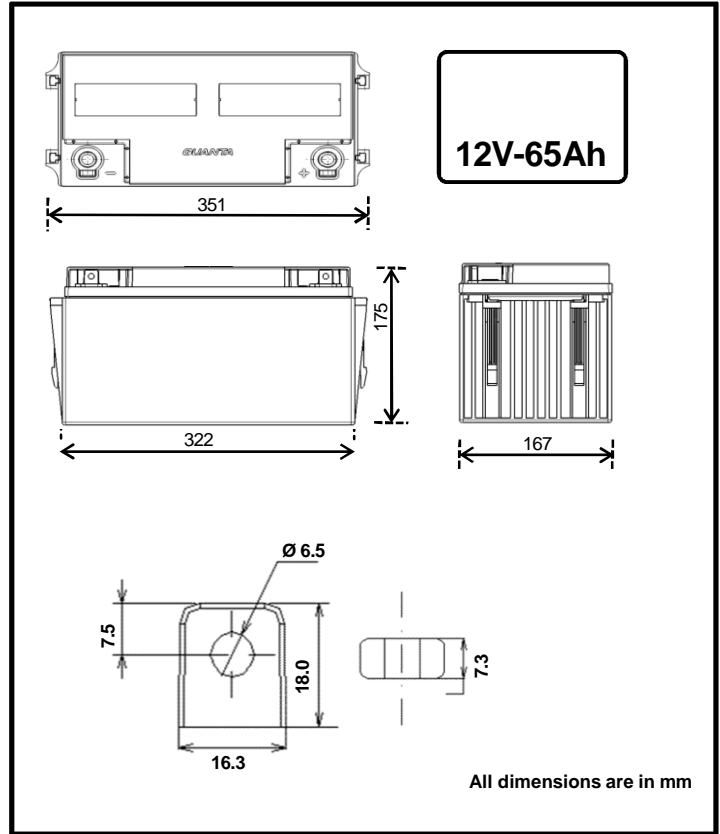
Make: Exide/Amaron Quanta

## Specification

Nominal voltage		12 Volts
Rated capacity (C <sub>20</sub> Hour rate at 27°C)		65 Ampere Hour
Dimensions (±2 mm)	Length	351 mm
	Width	167 mm
	Height	175 mm
Weight ± 1.0 Kgs (approx.)		20.0 Kgs

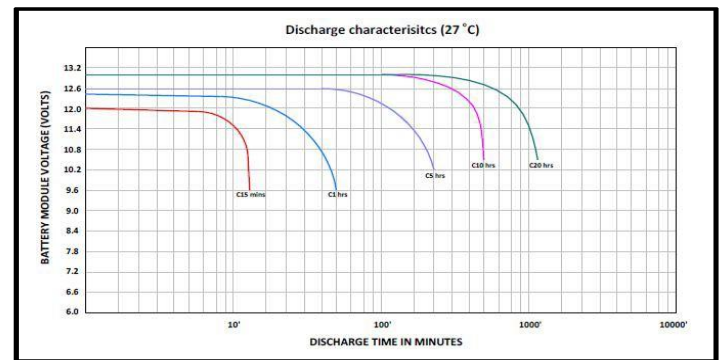
## Characteristics \*

Capacity@ 80.6°F (27°C)	20 hour rate (3.25A) upto 10.5V	65.0 Ah
	10 hour rate (5.59A) upto 10.5V	55.90 Ah
	5 hour rate (10.29A) upto 10.2V	51.40 Ah
	1 hour rate (36.36A) upto 9.6V	36.30 Ah
	15 minute rate (101.1A) upto 9.6V	25.20Ah
Internal resistance	Fully charged battery 80.6°F (27°C)	9.40 mΩ
Capacity affected (Temperature at C <sub>20</sub> hour rate)	104°F (40°C)	110%
	80.6°F (27°C)	100%
	32°F (0°C)	80%
	5°F (-15°C)	60%
Self discharge 80.6°F (27°C)	Capacity after 3 month storage	90%
	Capacity after 6 month storage	80%
Terminal Type	M6 x 20 mm Bolted	
Short circuit current		1382 A



Constant current discharge rating amperes @ 27°C*												
ECV	DURATION											
	10 min	15 min	20 min	30 min	60 min	2 hr	3 hr	5 hr	8 hr	10 hr	20 hr	
1.60	126.47	101.10	80.23	60.87	36.36	22.06	15.07	11.12	6.90	5.83	3.48	
1.65	122.62	96.75	77.30	58.44	35.90	21.17	14.62	10.71	6.75	5.76	3.40	
1.70	118.77	92.41	74.37	56.00	35.44	20.27	14.16	10.29	6.60	5.69	3.31	
1.75	114.29	90.32	73.68	55.45	35.00	20.00	14.14	10.26	6.56	5.59	3.25	
1.80	112.0	88.89	71.79	54.90	33.49	19.86	14.07	10.17	6.52	5.56	3.23	

Constant power discharge rating watts per battery @ 27°C*												
ECV	DURATION											
	10 min	15 min	20 min	30 min	60 min	2 hr	3 hr	5 hr	8 hr	10 hr	20 hr	
1.60	1368	1120	898	682	412	248	172.0	118.0	77.0	67.0	31.0	
1.65	1345	1101	887	671	408	245	171.0	117.0	76.5	66.5	30.5	
1.70	1322	1081	876	660	403	242	170.0	116.0	76.0	66.0	30.0	
1.75	1299	1041	848	640	392	239	169.0	115.0	75.0	65.0	29.5	
1.80	1276	1000	820	620	380	236	168.0	114.0	74.0	64.0	29.0	



Annexure-C

## Financial Bid for "Supply &amp; Installation of 40 Nos. of Batteries for 60 kVA Delta Make UPS in AEEL at Centre-I, Manesar (Haryana)"

Financial Bid					
<b>PART-A</b>					
Sr. No.	Scope of Work	Qty	Units	Unit Price (INR)	Total Value (INR)
1	Scope of Supply & Installation of Battery: e) 12V, 65 AH f) Length: 351 mm, Width: 167 mm, Height: 175 mm g) Make: Exide/ Amaron Quanta h) Battery Should installed in Existing Rack with existing connector in scope of supplier.	40	Nos		
2	Installation & Dismantling of Batteries (40 batteries)	1	Job		
3	Freight Charges (Inclusive of Packing, Forwarding, Transportation and Unloading of Material at ICAT Site)	1	L/S		
Sub-Total Value (INR)					
GST%					
Grand Total Value (INR) - A					
<b>PART-B</b>					
Sr. No.	Scope of Work	Qty	Units	Unit Price (INR)	Total Value (INR)
1	Old Buy Back Battery, 12V, 65 AH	40	Nos		
Sub-Total Value (INR)					
GST%					
Grand Total Value (INR) - B					
Grand Total Value (INR) A+B					

**Please Note:-**

- In case of any query related with technical aspect, please be feel free to contact to the undersigned:

**Contact Person: Mr. Sudhakar Chouhan**

**Contact No: ++91- 9818964122**

**Email Address: [sudhakar.chouhan@icat.in](mailto:sudhakar.chouhan@icat.in)**

**International Centre for Automotive Technology (ICAT)**

Plot No. - 26, Sector-3, HSIIDC, IMT Manesar, Gurgaon-122050, Haryana, India

Phone: +91-124-4586-111, FAX: +91-124-2290005, Email: [purchase@icat.in](mailto:purchase@icat.in), Website

[www.icat.in](http://www.icat.in)