

CORRIGENDUM

NIT No: ICAT/OT/VEL/Outrigger Set/2022-23/158
Manesar, Dated 03-11-2022

This notification is in continuation of the Notice Inviting Tender No. ICAT/OT/VEL/Outrigger Set/2022-23/158 Dated 02-11-2022 towards procurement of "Outrigger for conducting ESC and vehicle dynamics test for M1 category of vehicle as per AIS-133:2016 for VEL Department at ICAT (Centre-II) published by International Centre for Automotive Technology (ICAT) on 02nd November, 2022 for the following procurement at its office located at Manesar from eligible Bidders.

Amended/Added Clause w. r. t. NIT

Name of Item	Outrigger for conducting ESC and vehicle dynamics test for M1 category of vehicle and as per AIS-133:2016
Corrigendum Issued for	Add Drawings of our requirement i.e. for 1 Set of Outrigger which consist of 02 No of Titanium I Beam Thick 4 & 5 mm (Grade-6Al4V) & 04 No of Nylone Skid Pad

- ICAT has decided to add drawings of requirement i.e. 1 Set of Outrigger which consist of 02 No of Titanium I Beam Thick 4 & 5 mm (Grade-6Al4V) & 04 No of Nylone Skid Pad for submission of Sealed Bids and opening of the technical bids as per above details.
- All other Tender conditions remain unchanged.

International Centre for Automotive Technology (ICAT)

Plot No. - 26, Sector-3, HSIIDC, IMT Manesar, Gurgaon-122050, Haryana, India
Phone: +91-124-4586-111, FAX: +91-124-2290005, Email: sonu.chopra@icat.in,

Website www.icat.in

eNOTICE INVITING TENDER (NIT)

NIT No.: ICAT/OT/VEL/Outrigger Set/2022-23/158
Manesar, 02nd Nov, 2022

The Officiating Director, International Centre for Automotive Technology (ICAT), a division of NATRIP Implementation Society (NATIS), Govt. of India, hereby invites sealed techno-commercial sealed bid from experienced, reputed manufacturers/suppliers of “Outrigger Set for M1 Category Vehicle” at ICAT Centre - II” Manesar, Haryana as per following details

Tender Activity Schedule

Product Requirement	Outrigger for conducting ESC and vehicle dynamics test for M1 category of vehicle
Equipment Quantity & Detail	As per list enclosed “Annexure B”
Eligibility Criteria	<p>Minimum Eligibility Criteria: The bidder whose bid meet the following eligibility criteria would only be considered:</p> <ul style="list-style-type: none"> • Legal Valid Entity: The bidder shall necessarily be a legal valid entity either in the form of Proprietary Firm, Partnership Firm, Private Limited Company. • Experience: The bidder must have minimum one year of experience in related field. • Statutory Registration: The bidder must have a valid PAN No. & GST No. <p>•Service provider should be able to fabricate 01 set of outrigger for M1 category of vehicle as per specifications in AIS-133:2016.</p>
Payment Terms	100% payment within 10 days on receipt of defect free delivery along with valid e-way bill and commercial invoice.
Delivery Terms	International Centre For Automotive Technology (Centre-II), VEL Department
Billing Address	International Centre For Automotive Technology (Centre - 1), Plot No. 26, Sector - 3, Near HSIIDC, IMT Manesar, Gurgaon 122050 GST No. 06AAATN7662F1ZI
Last Date of Receiving of queries on Tender Document via email	Up to 1700 Hrs. of 8 th November, 2022 (via e-mail) @ 'arjun subedi' & gurkaran.singh@icat.in
Pre Bid Meeting	1430 Hrs. on 11 th November, 2022 at VEL Office in ICAT Centre - II, Manesar, Gurugram, India
Last Date of submission of Sealed Techno-Commercial Bid	Up to 1500 Hrs. on 22 nd November, 2022, at ICAT Centre - 1, Manesar, Gurgaon, India.

- Bidders to comply with Rule 144 (xi) of GFR 2017 (refer Office Memorandum of Department of Expenditure dated 23rd July 2020
<https://doe.gov.in/sites/default/files/OM%20dated%2023.07.2020.pdf>
- **Preference to Make in India:** As per the revised order issued by Department of Industrial Policy and Promotion (DIPP) vide No. P-45021/2/2017-PP (BE-II) dated 04.06.2020. The purchaser reserves the right to give preference to the local supplier.
<https://dpiit.gov.in/sites/default/files/PPP%20MII%20Order%20dated%204th%20June%202020.pdf>

Sealed Envelope should be marked with **“Supply of Outrigger Set for M1 Category Vehicle”**

Interested suppliers/service providers who meet our requirements should submit no regret techno commercial proposal along with product catalogue in a **sealed envelope latest by 22nd Nov, 2022 by 15:00 Hrs at below given address**

To,
The Purchase Department,
International Centre For Automotive Technology
Plot N. 26, Sector-3, HSIIDC, IMT Manesar
Gurgaon 122050 (Haryana)
Contact No. +91 9899973712

Note: ICAT reserves the right to reject/modify/cancel the tender without assigning any reason thereof.

Annexure A

Proposal Invited for “Outrigger Set for M1 Category Vehicle”

International Centre for Automotive Technology is pleased to invite you sealed techno-commercial bid for supply of “Outrigger Set for M1 Category Vehicle”. Hence, You are requested to submit your sealed proposal latest by Nov-22, 2022 by 15:00 Hrs.

1. Technical Conditions:

Scope of Supply: As per the attached Annexure-B.

2. General Terms & Conditions:

- Sealed bid to be submitted with Attached Annexure after duly filled and signed on Letter head.
 - Supply Location: ICAT, Plot NO. 01, Sector-M-11, HSIIDC, IMT Manesar, Haryana. (VEL, Department).
 - Specifications for outriggers as per specified drawings should be followed exactly. Supplier should inform and take due consent for any modifications in the design requirements.
 - It is responsibility of bidder to Supply the instrument safely to ICAT without any damage. In case of any damage during transit, damaged instrument will not be accepted.
 - Delivery of the item shall be on official working days during 09:00AM to 04:00PM. The successful bidder shall schedule delivery dates after confirmation from the user department i.e. VEL.
 - ICAT reserve the right to reject any or all the tenders in part of full without assigning any reason thereof. The ICAT also reserves the right to negotiate the rates and terms & conditions with any or all the bidders at its sole discretion as deemed fit without assigning any reasons thereof.
 - The comparison of the bids shall be on basis of total price (Inclusive of all taxes etc) quoted by the bidder. No comparison of individual item will be made the individual item charge is only for reference purpose of this office.
 - Liquidity Damages/Penalty for Delay: Failure to complete the work within the stipulated time will make you liable to an unconditional penalty of ½% (Half Percent) of the value of work per week subjected to a maximum of 10% (Ten Percent) of the work contract.
- 3.** Proposal Validity Period: Bids validity should be of at least 6 Months from the last date of submission of Bids. Any Bid having validity lower than that specified above shall be rejected by ICAT as being nonresponsive. However, ICAT may request the Bidders to extend the Bid unconditionally beyond the Bid validity period up to an additional period of ninety (90) days without any modification and without giving any reason thereof. Conditional extension of bid validity shall not be accepted and ICAT reserves right to reject such bid/s and proceed with the bidding process with the remaining bidders.
- 4.** Billing: All Bills and accompanying documents should be raised and submitted in original; as per the Payment Terms, and should be accompanied by original copies of duly receipted/certified Delivery Challan/Work Progress or Completion Certificate, as applicable. No payment shall be released against any duplicate bills, work progress report or Completion Certificate or delivery challan. All applicable taxes such as GST, Service tax, Works Contract Tax shall be mentioned separately in the invoice.

5. Minimum Eligibility Criteria

The bidder whose bid meets the following eligibility criteria would only be considered.

- Legal Valid Entity: The bidder shall necessarily be a legal valid entity either in the form of Proprietary Firm, Partnership Firm, Private Limited Company.
 - Experience: The bidder must have minimum one year of experience in related field.
 - Statutory Registration: The bidder must have a valid PAN No. & GST No.
 - **Bidder should be able to fabricate 01 set of outrigger for M1 category of vehicle as per specifications in AIS-133:2016.**
 - **Tender form is not transferable.**
 - **Supply Site:** ICAT, Plot NO. 01, Sector-M-11, HSIIDC, IMT Manesar, Haryana. (VEL, Department).
- A. Bidders to comply with :**
- Rule 144 (xi) of GFR 2017 (refer Office Memorandum of Department of Expenditure dated 23rd July 2020
<https://doe.gov.in/sites/default/files/OM%20dated%2023.07.2020.pdf>)
 - Department of Industrial Policy and Promotion (DIPP) vide No. P-45021/2/2017-PP (BE-II) dated 04.06.2020 and as revised from time to time
(<https://dpiit.gov.in/sites/default/files/PPP%20MII%20Order%20dated%204th%20June%202020.pdf>)

5. Time Schedule for Delivery of item:

- 5.1 Time is the essence of the contract. The equipment need to be delivered within the stipulated time i.e. 45 days from the date of issue of **“Purchase Order”** to the successful Bidder.

6. Amendment to the Tender Document

- 1.1.1. 6.1 Addenda / Corrigenda to the Tender Document may be issued by ICAT prior to the last date of submission of the Bids to clarify the documents or to reflect any modifications etc. All such addenda / corrigenda shall be treated as an integral part of the Tender Document.
- 1.1.2. 6.2 In order to afford prospective Bidders reasonable time for preparing their tenders after taking into account such amendments, ICAT may, at its discretion, extend the deadline for submission of tenders.
- 6.3 In case after issuance of addenda, any Bidder who has already submitted its Bid, does not resubmit its Bid, it shall be deemed that such Bidder does not intend to modify its Bid on the basis of the addenda and the addenda have been taken into account.

7. Validity of Bids

- 7.1 Bids shall be unconditional, firm and remain valid and open for acceptance for a period of **180 days** from the last date of submission of Bids. Any Bid having validity lower than that specified above shall be rejected by ICAT as being non responsive. However, ICAT may request the Bidders to extend the Bid unconditionally beyond the Bid validity period up to an additional period of sixty (90) days without any modification and without giving any reason thereof. Conditional extension of bid validity shall not be accepted and ICAT reserves right to reject such bid/s and proceed with the bidding process with the remaining bidders.
- 1.1.3. 7.2 If a Bidder withdraws or revokes his offer after last date of submission of Bids, the Bidder is liable to be disqualified and the Earnest Money Deposit submitted by such Bidder is liable to be forfeited. Any Bidder shall not be allowed to carry out any revision / correction / modification in his Bid after the last date of submission of Bids.
- 1.1.4. 7.3 In case ICAT calls the Bidder for negotiations/clarifications then this shall not amount to cancellation or withdrawal of original offer. ICAT reserves right to finalise the technical scores by conducting such negotiations/seeking clarifications, till the start date/time of the financial bid opening and prior to declaration of technical scores.
- 1.1.5.

8. Liquidity Damages:

In the event of any delay on part of the Supplier/Contractor to achieve completion of the Works within the time lines as specified in the Purchase Order / Works Order the Supplier/Contractor shall be liable to pay to ICAT a sum equal to **0.05%** of the Contract Price for per day of delay, or part thereof, subject to the maximum of **10%** of the Contract Price, for such default as liquidated damages, which the Supplier/Contractor agrees is not a penalty but a genuine pre-estimate of loss and damage likely to be suffered and incurred by ICAT for every day, or part thereof, that such delay subsists till the date of actual completion. ICAT may, without prejudice to any other method of recovery, deduct the amount of such damages from any monies due or to become due to the Supplier/Contractor.

9. Evaluation of bids:

1.1.5.1. 9.1 Technical Bid Evaluation

- 1.1.5.1.1. 9.1.1 During the technical bid evaluation process, ICAT may ask clarifications to the bidder through E-mail/ Fax, for confirming and consolidating their technical offers.
- 1.1.5.1.2. 9.1.2 All such clarifications are required to be answered by the bidder by E-mail/Fax, within the time specified by ICAT. The signed hard copies of the same need to be submitted to ICAT and shall be deemed to be the part of the tender documents.
- 1.1.5.1.3. 9.1.3 All valid bids shall be evaluated based on criteria as specified in **clause 3 Eligibility Criteria.**
- 1.1.5.1.4. 9.1.4 Only the technically qualified bidders shall be intimated for financial bid opening, with prior notice in writing.
- 9.1.5 ICAT may ask demonstration of the system to evaluate claims submitted by the bidder in technical bid. Bidder shall demonstrate the system (direct demo, or a demo using web based system) within two weeks of time after

sending the request for demonstration. Request sent through any communication media (Email, SMS, phone etc on contact details submitted) will be considered as starting date for required demonstration.

1.1.5.2. 9.2 Financial Bid Evaluation

After evaluation of the technical bids and supplied sample, the financial bids of only those bidders will be opened who are technically qualified. All valid financial bids shall be evaluated to arrive the Successful Bidder (L1).

10. ICAT's Right to Accept Or Reject Any Or All Bidders

ICAT reserves the right to accept or reject any bid, and to annul the tender process and reject all Bids, at any time prior to award of Contract without assigning any reasons for such acceptance/ rejection, or to divide the Contract between/amongst Bidders without thereby incurring any liability to the affected Bidder or Bidders or any obligations to inform the affected Bidder or Bidders of the grounds for ICAT's action. The Bidders shall not have any cause of action or claim against ICAT for rejection of their bids.

Annexure - B

Scope of Work/Supply

S. No	Name of the Instrument	Specifications	Attachments	Warranty
1	Outrigger Set for M1 Category Vehicle	As per attached drawings and AIS-133:2016	1 Set of Outrigger which consist of 02 No of Titanium I Beam Thick 4 & 5 mm (Grade-6Al4V) & 04 No of Nylone Skid Pad	NA

*** In case of any technical query, please feel free to contact:**

Contact Person: **Mr. Gurkaran Singh Cheema**

Contact No. : **+91-9873794333**

Email ID: **gurkaran.singh@icat.in**

Annexure – C

Financial Bid - Procurement of Outrigger Set for M1 Category Vehicle and supply at ICAT Centre-2

Scope	Qty	Rate	Total Cost (INR)
Outrigger Set for M1 Category Vehicle	1 Set of Outrigger which consist of 02 No of Titanium I Beam Thick 4 & 5 mm (Grade-6Al4V) & 04 No of Nylon Skid Pad		
Total Basic Value in INR			
Freight Charges			
Sub Total			
GST@			
Grand Total Inclusive GST & Freight Charges(INR)			

International Centre for Automotive Technology (ICAT)

Plot No. - 26, Sector-3, HSIIDC, IMT Manesar, Gurgaon-122050, Haryana, India

Phone: +91-124-4586-111, FAX: +91-124-2290005, Email: purchase@icat.in,

Website www.icat.in

Annexure-D

{Format for each of the Declarations to be typed on bidder's letter head separately and to be submitted in the tender document}

DECLARATION -1

(Declaration regarding Make in India)

In line with Government Public Procurement Order No. P-45021/2/2017-BE-II dt. 15.06.2017 & P-45021/2/2017-PP (BE-II) dated 28.05.2018, we hereby certify that we M/s _____ (supplier name) are local supplier meeting the requirement of minimum local content (____%) as defined in above orders against Tender/Enquiry No. _____

Details of location at which local value addition will be made is as follows:

(Signature of the bidder with seal/ rubber stamp)

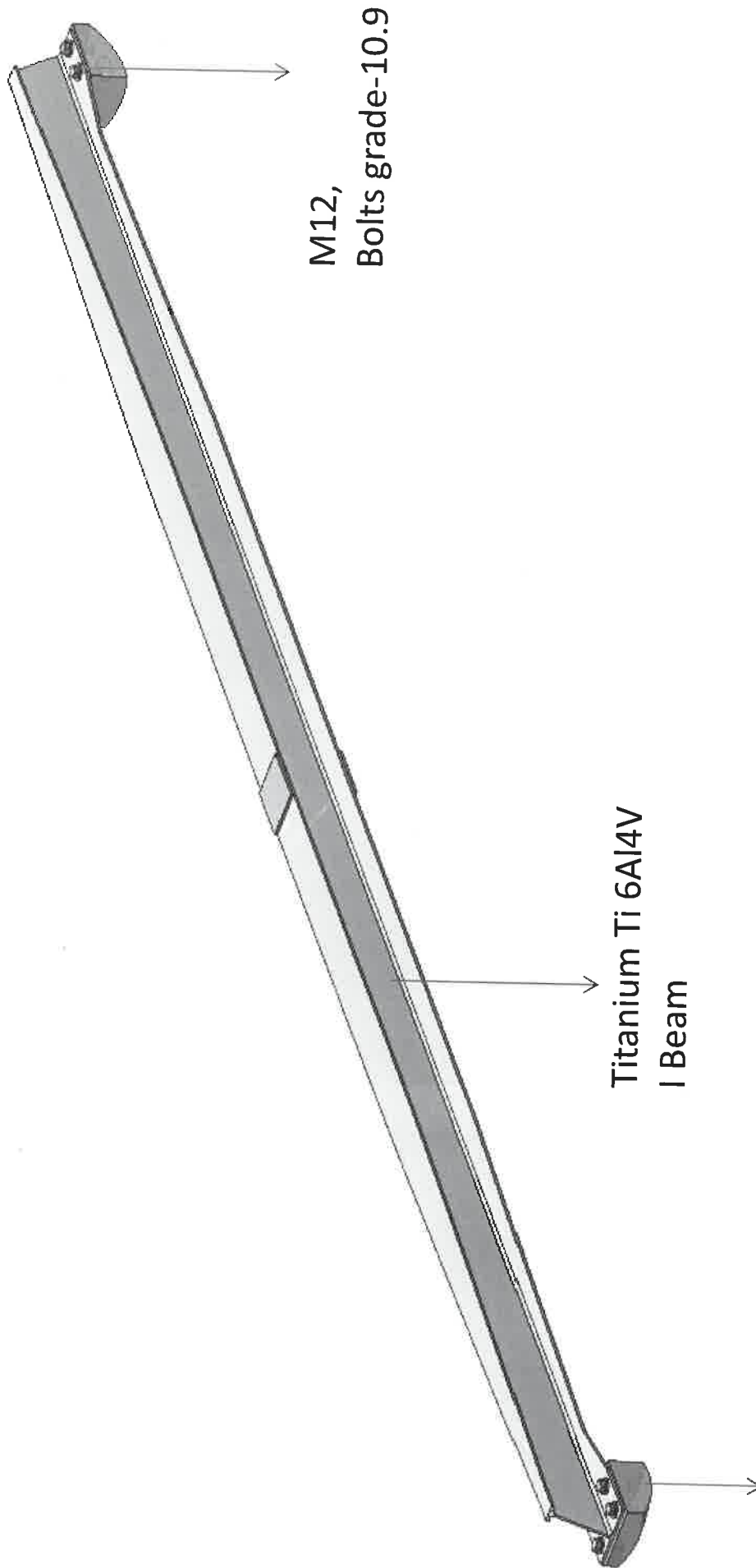
DECLARATION-2

(Declaration regarding compliance of Rule 144 (xi) of GFR 2017)

"I/We have read the clause regarding restrictions on procurement/sub-contracting from an entity/natural person/agent/consortium/Joint venture having beneficial ownership in countries which share land border with India. I/We certify that neither we are not from such a country nor having any beneficial ownership from such a country. If I/We from such a country or having beneficial ownership, are registered with the competent authority. I/We hereby certify that we fulfill all requirements in this regard and are eligible to be considered. [Where applicable, evidence of valid registration by the Competent Authority shall be attached.]"

Authorized Signatory

* We also understand, false declarations will be in breach of the Code of Integrity under Rule 175(1)(i)(h) of the General Financial Rules for which a bidder or its successors can be debarred for up to two years as per Rule 151 (iii) of the General Financial Rules and would be a ground for immediate termination and further legal action in accordance with law.

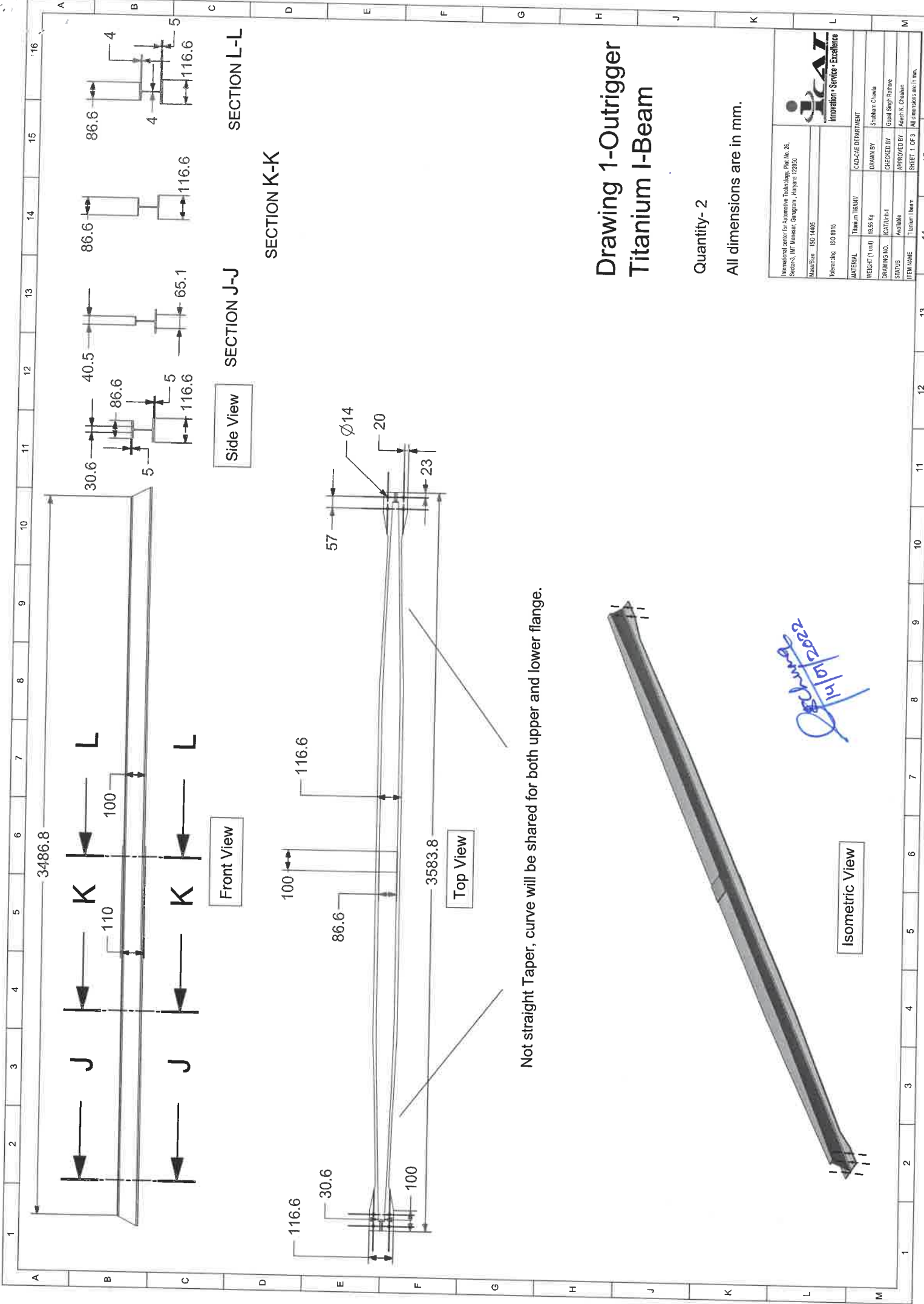


M12,
Bolts grade-10.9

Titanium Ti 6Al4V
I Beam

Nylon Skidpad


Handwritten signature
11/14/11
2002



Drawing 1-Outrigger Titanium I-Beam

Quantity- 2

All dimensions are in mm.

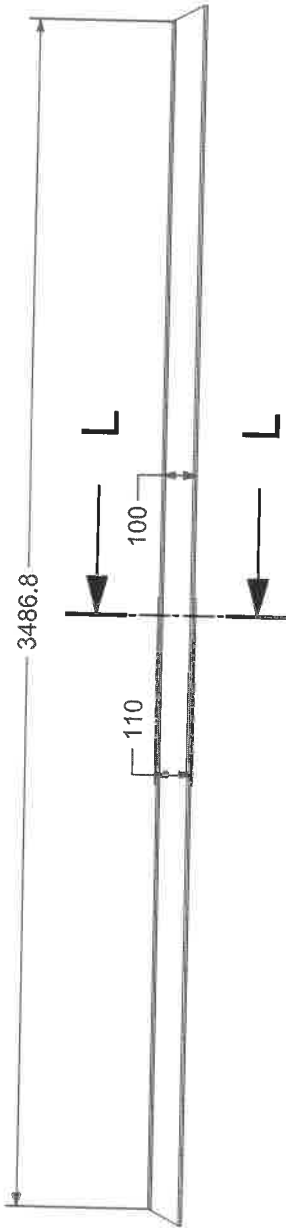
 Innovation · Service · Excellence	
Intellectual Center for Automotive Technology, Plot No. 26, Sector 8, IIT Madras, Chennai, Mysore 7200	
Max Size: ISO 1405	Polishing: ISO 9015
MATERIAL : Titanium I-Beam	CAD/CAE DEPARTMENT
WEIGHT (1 mtr) : 19.55 Kg	DRAWN BY : Sridhar Chawla
DRAWING NO. : ICAT/imp-1	CHECKED BY : Gopal Singh Rathore
STATUS : Available	APPROVED BY : Akshay Chavan
ITEM NAME : Titanium I-Beam	SHEET 1 OF 3 All dimensions are in mm.

Devi
14/10/2022

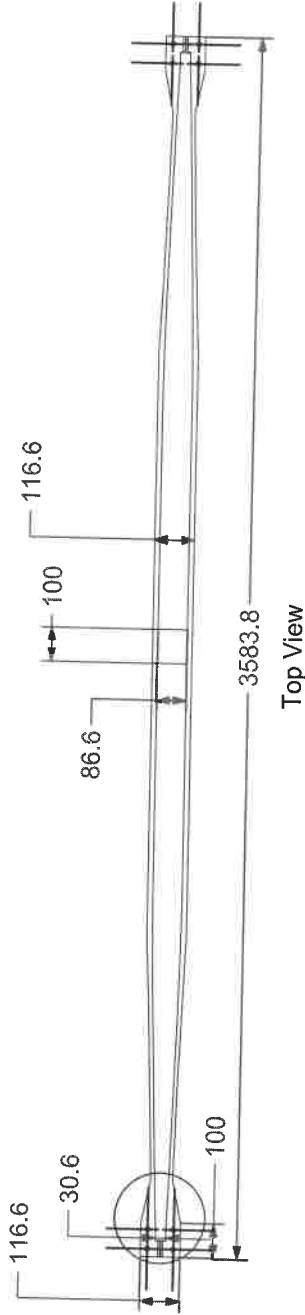
Isometric View



Drawing 1- Outrigger Titanium I-Beam



Front View

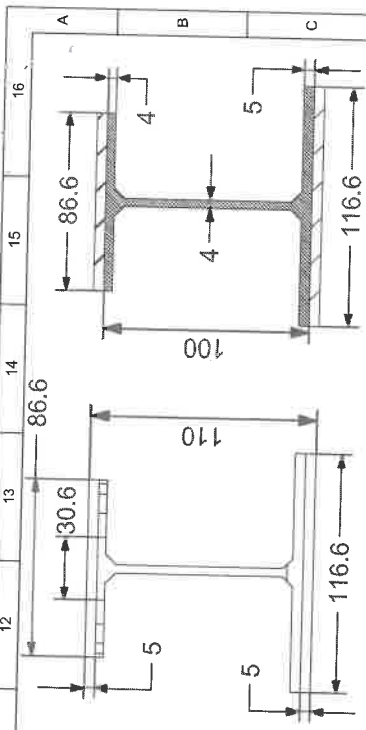


Top View



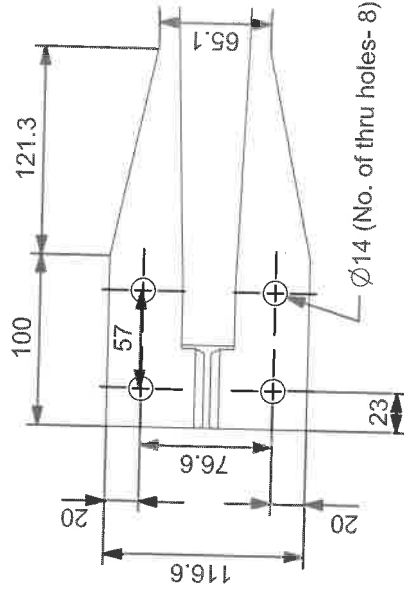
Isometric View

Signature
14/09/2022



Side View

(Center)
SECTION L-L

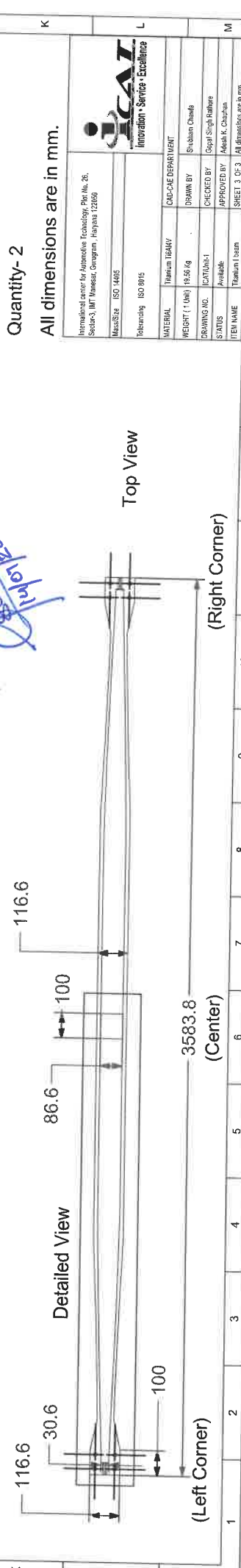
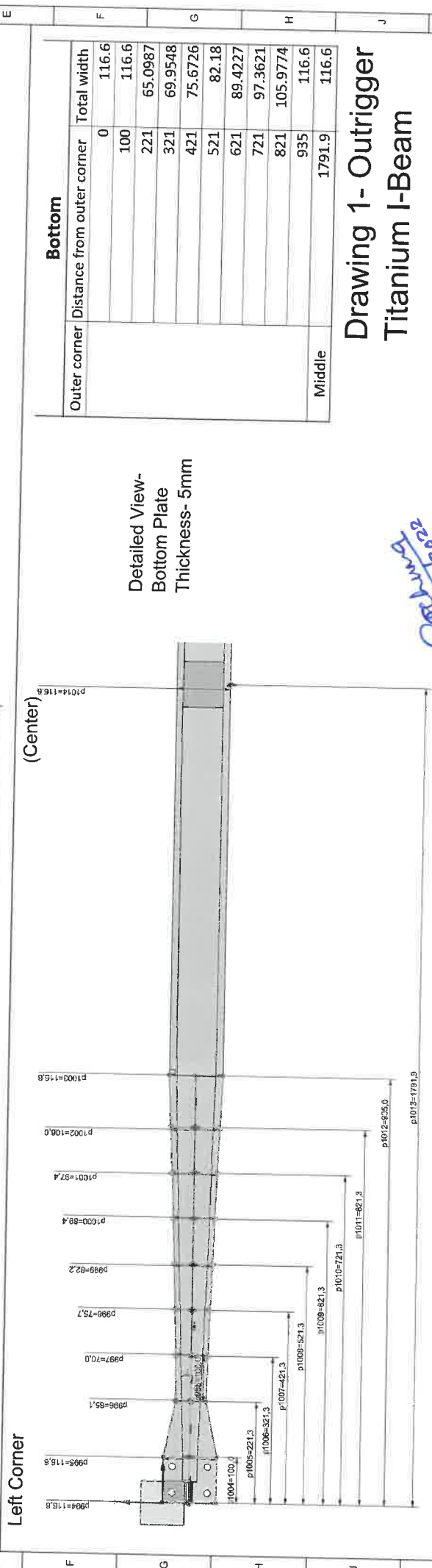
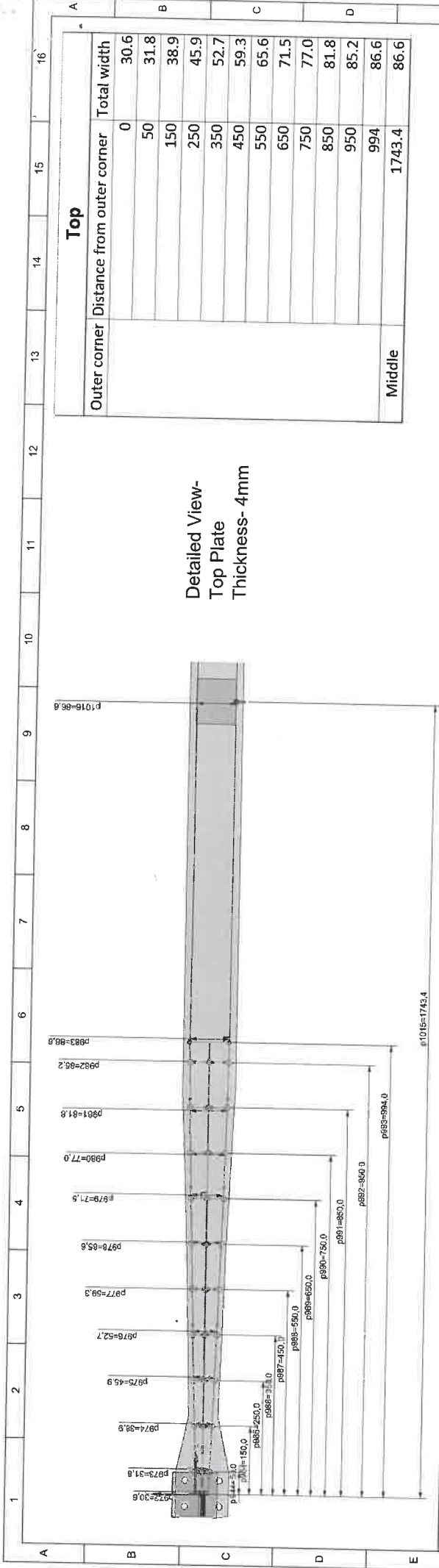


DETAIL M
SCALE 1:3

Quantity- 2

All dimensions are in mm.

Institutional Center for Automotive Technology, Plot No. 26, Sector-3, IIT Bhubaneswar, Bhubaneswar, Odisha 752050 Mass: 19.58 kg		Innovation · Service · Excellence	
MATERIAL	Titanium TR40V	CAD/CAE DEPARTMENT	
WEIGHT (1 unit)	19.58 kg	DRAWN BY	Shubham Chandra
DRAWING NO.	ICAT/Unit-1	CHECKED BY	Deep Singh Rathore
STATUS	Available	APPROVED BY	Prasen K. Choudhan
ITEM NAME	Titanium I-beam	SHEET 2 OF 3	All dimensions are in mm.



Top		
Outer corner	Distance from outer corner	Total width
	0	30.6
	50	31.8
	150	38.9
	250	45.9
	350	52.7
	450	59.3
	550	65.6
	650	71.5
	750	77.0
	850	81.8
	950	85.2
Middle	994	86.6
	1743.4	86.6

Bottom		
Outer corner	Distance from outer corner	Total width
	0	116.6
	100	116.6
	221	65.0987
	321	69.9548
	421	75.6726
	521	82.18
	621	89.4227
	721	97.3621
	821	105.9774
	935	116.6
Middle	1791.9	116.6

Drawing 1- Outrigger Titanium I-Beam

Quantity- 2
All dimensions are in mm.

Innovation Center for Aerospace Technology, P.O. Box 26,
Sector 3, IIT Madras, Chennai - 600 160

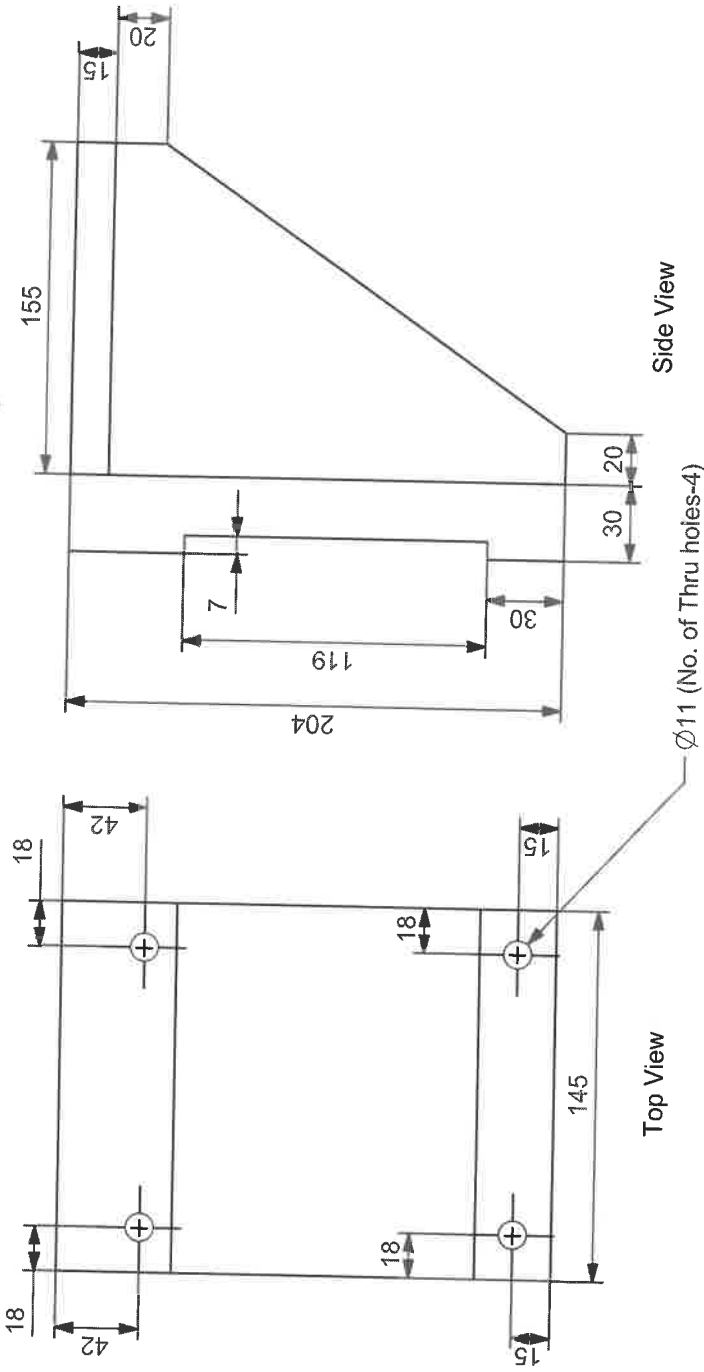
Material: Titanium I-Beam
Weight: 19.56 kg
Drawing No: ICA/Title-1
Status: Available
Item Name: Titanium I-Beam

Checked By: Sagar Singh Rathore
Approved By: Adish K. Chaturan

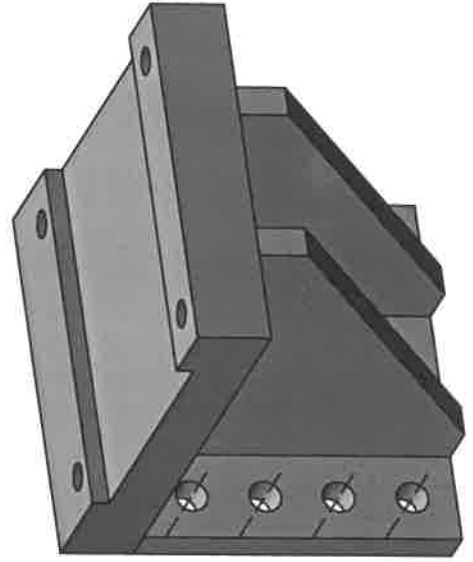
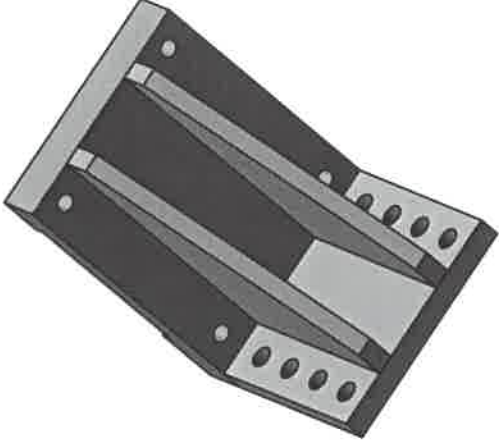
Scale: ISO 1406
Referencing: ISO 9015

DWG-CAD DEPARTMENT
DRAWN BY: Shreshth Chavla
CHECKED BY: Sagar Singh Rathore
APPROVED BY: Adish K. Chaturan
SHEET 2 OF 3 All dimensions are in mm.

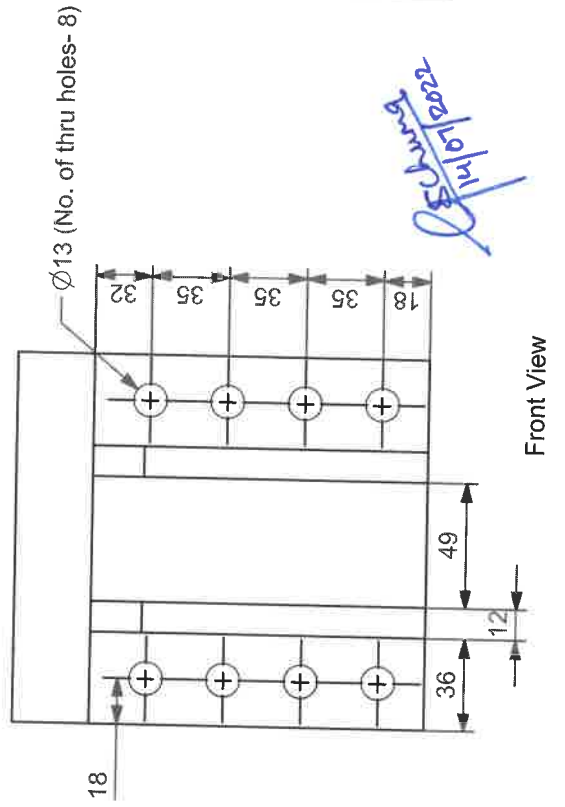
Handwritten signature: Sagar Singh Rathore



View 1



Isometric View



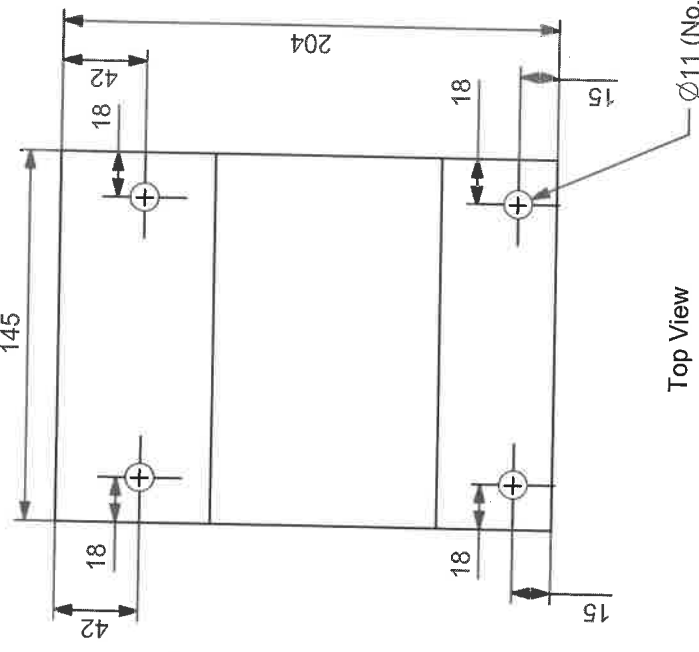
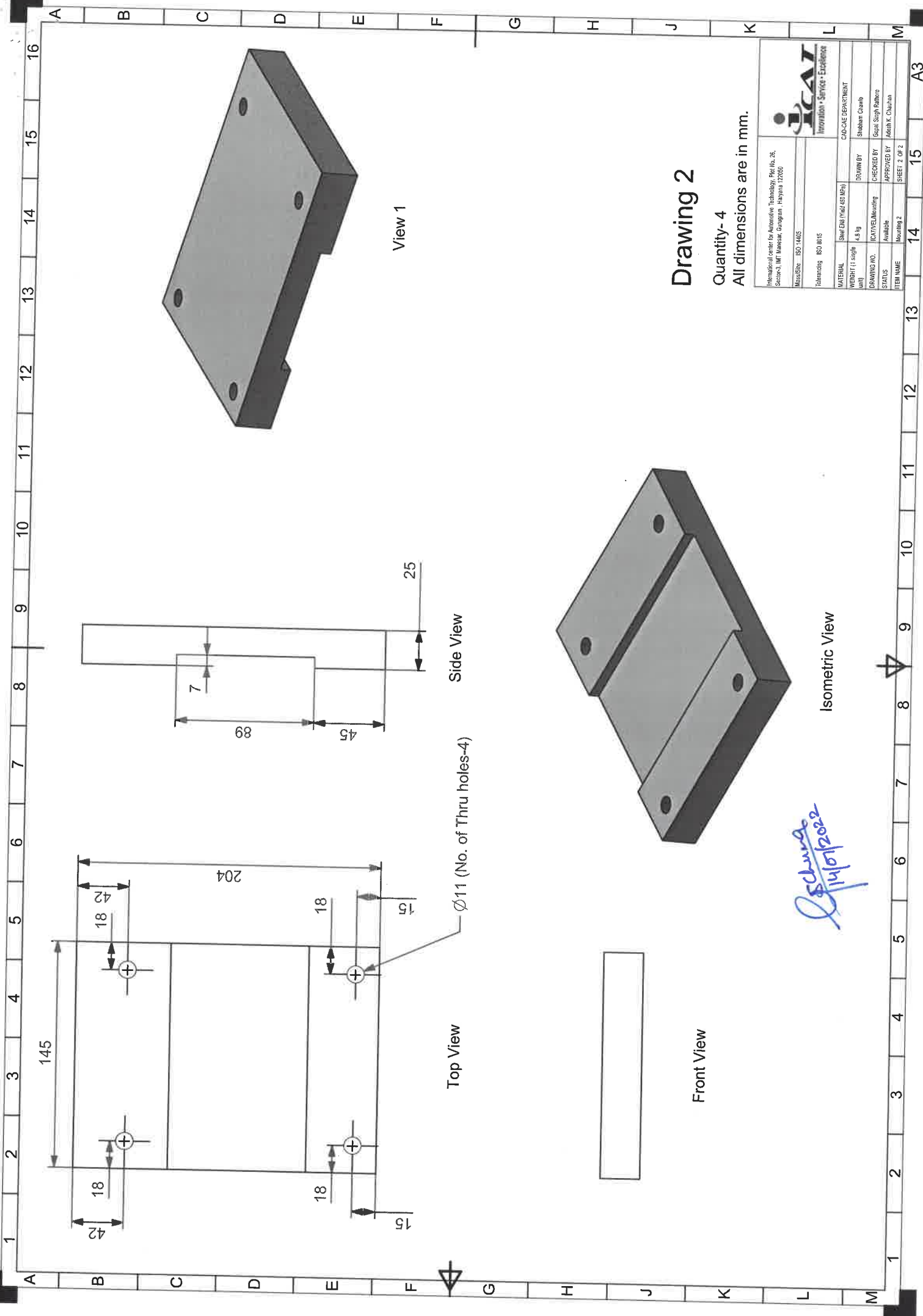
Drawing 1

Quantity- 4

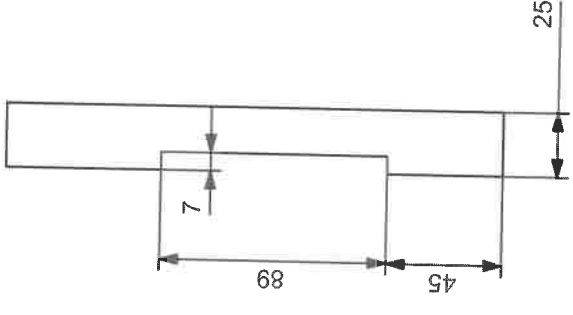
All dimensions are in mm.

International Center for Automotive Technology, Plot No. 26, Sector-3, Wazirpur, Sarangpur, New Delhi 110028		ICAT Innovation • Service • Excellence	
Material	Sheet ENI (MM 450 MPa)	CAO-CAE DEPARTMENT	
Weight (1 single unit)	10.5 kg	Drawn BY	Shubham Chandra
Drawing No.	ICAT/VE/Manufacturing	Checked BY	Sonal Singh Rathore
Status	Available	Approved BY	Adesh K. Chauran
Item Name	Mounting 1	Sheet 1 of 2	

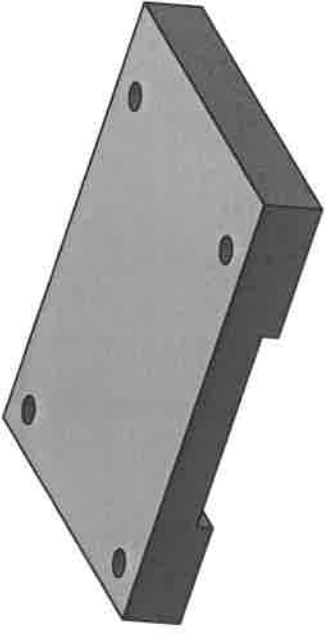
Handwritten signature and date:
S. P. Singh
22/09/2022



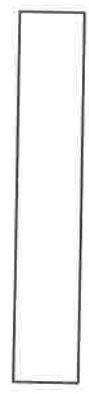
Top View



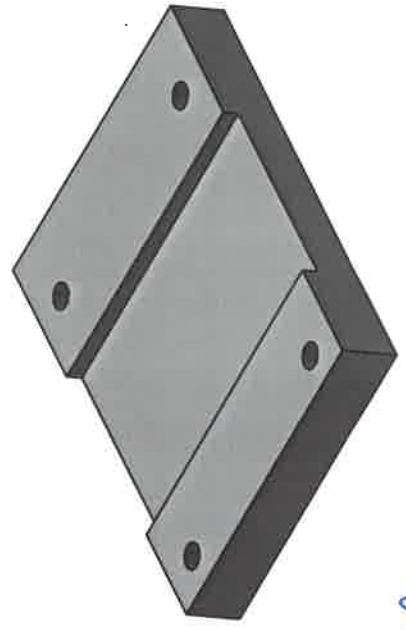
Side View



View 1




Front View



Isometric View

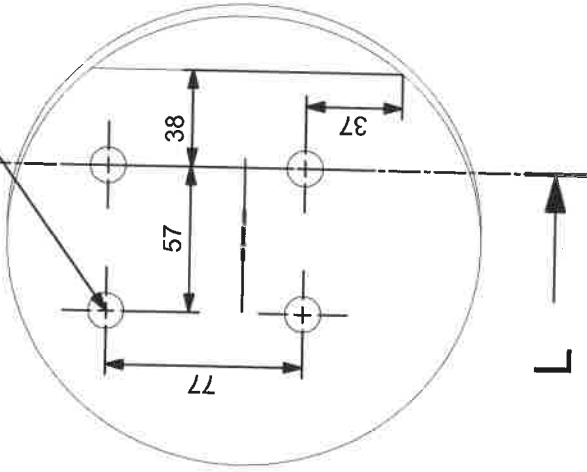
Drawing 2

Quantity- 4
All dimensions are in mm.

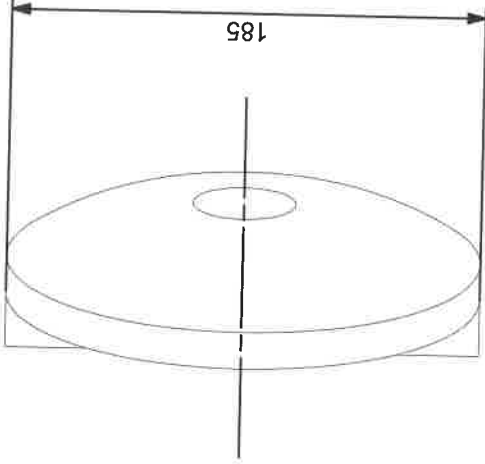
International Center for Automobile Technology, Plot No. 26, Sector-9, Mt. Mansarovar, Gurugram, Haryana 122001		 ICAT Innovation • Service • Excellence	
Material	Steel EN19 (45 MPa)	CAD-CAE DEPARTMENT	
Weight (1 single unit)	4.8 kg	DRAWN BY	Shabbir Chavla
Drawing No.	CAT/PEL/Mounting	CHECKED BY	Geeta Singh Rathore
Status	Available	APPROVED BY	Adish K. Chauhan
Item Name	Mounting 2	SHEET 2 OF 2	

S. Chandra
14/10/2022

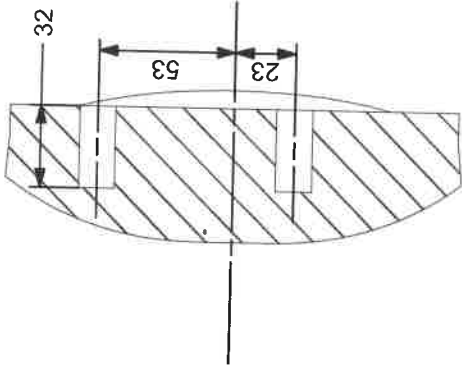
M12*?? (No. of threaded holes-4)



Center Axis of cylinder

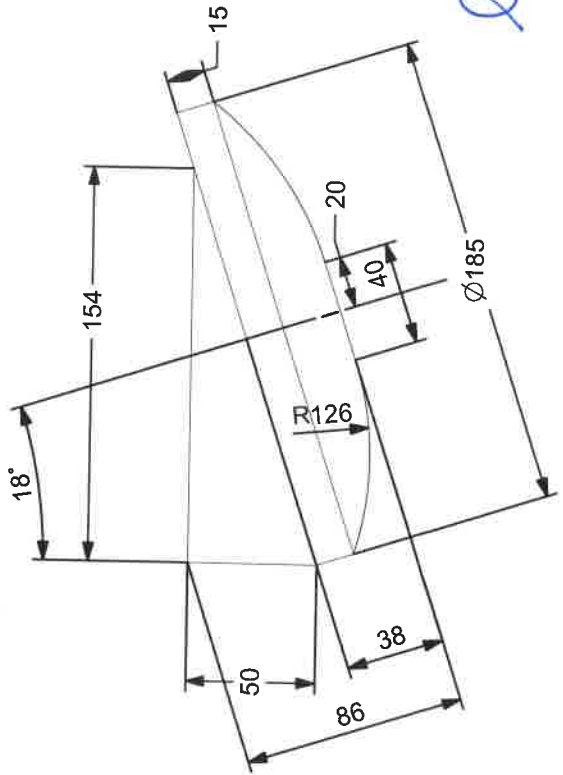


Side View

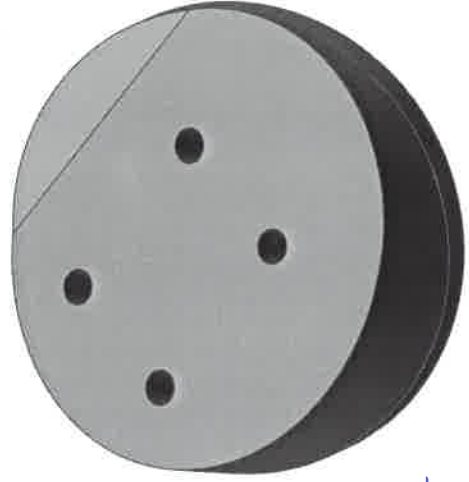


SECTION L-L

Top View



Front View



Isometric View

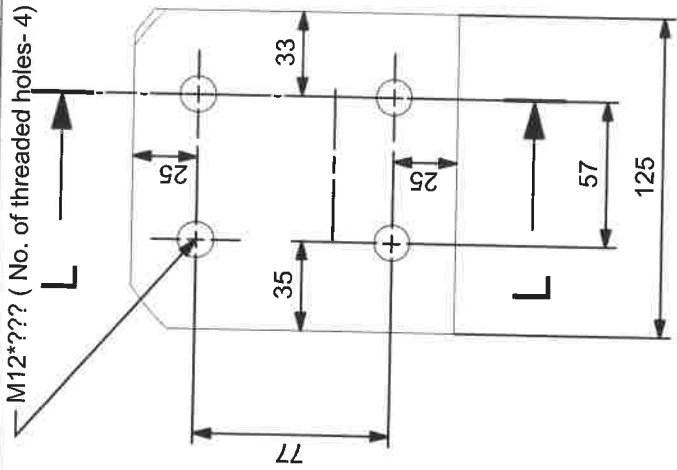
Drawing 2.1-Skidpad

Quantity-2

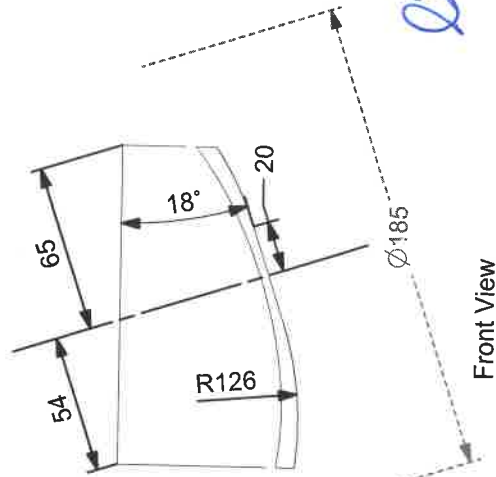
All dimensions are in mm.

If in doubt, kindly confirm first before proceeding.

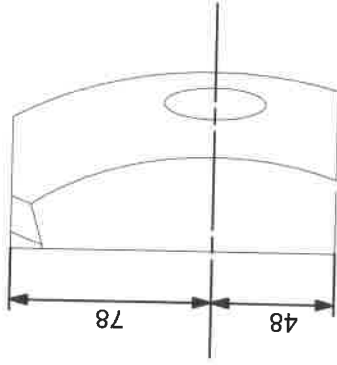
International Center for Automotive Technology, Plot No. 26, Sector-9, IIT Kharagpur, Gurgaon, Haryana 120050		ICAT Innovation • Service • Excellence	
MAESTRO	ISO 14005		
Fabricating ISO 9001			
MATERIAL	Nylon	CAD/CAE DEPARTMENT	
WEIGHT (1 unit)	1.58 Kg	DRAWN BY	Shubham Chawla
DRAWING NO.	ICAT/AMC-2	CHECKED BY	Govind Singh Rathore
STATUS	Available	APPROVED BY	Aakash K. Chaurhan
ITEM NAME	Skidpad	SHEET 1 OF 2	All dimensions are in mm.



Top View

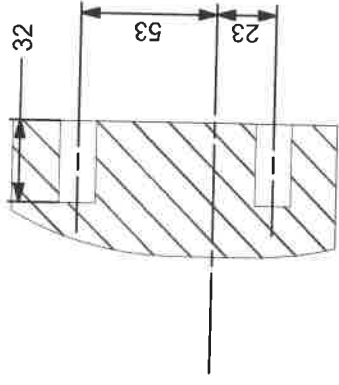


Front View

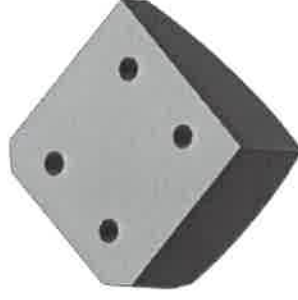


Side View

Center Axis of cylinder



SECTION L-L

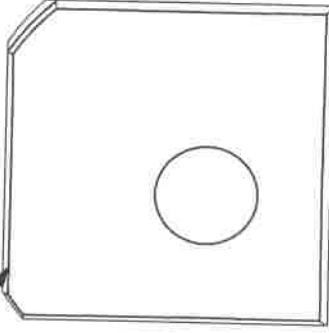


Isometric View

Quantity-2

All dimensions are in mm.

Fillet 4mm on bottom face corner edges



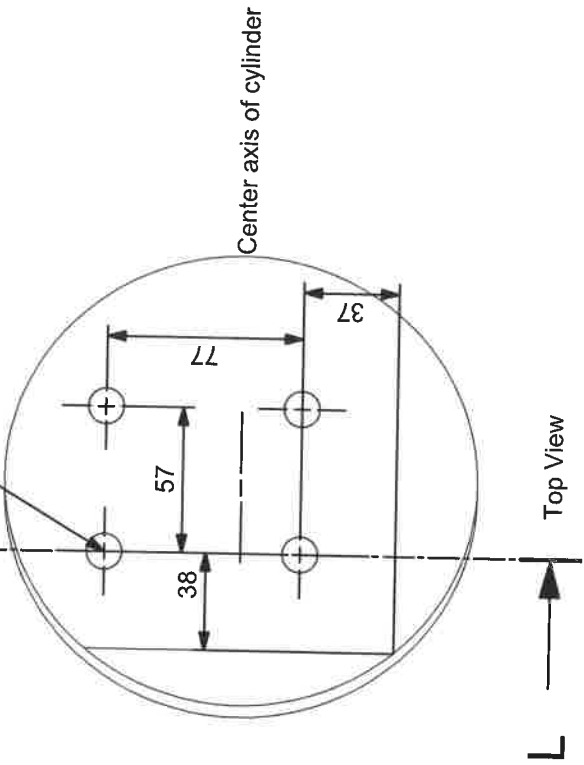
Bottom View

Handwritten signature and date: 11/11/2022

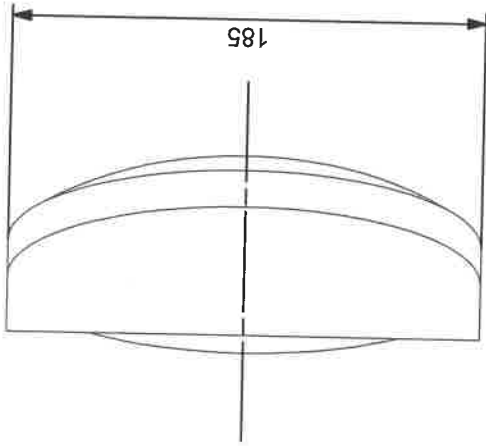
Drawing 2.1- Skidpad

International Center for Automotive Technology, Plot No. 26, Sector-9, IIT Mumbai, Chhatrapati, Haryana 122050	
Material: ISO 14005	Referencing: ISO 9015
Material: Nylon	CAD/CAE DEPARTMENT
Weight: (1 unit) 1.58 kg	DRAWN BY: Shubhan Chavla
Drawing No.: ICAT/2018-2	CHECKED BY: Gopal Singh Rathore
Status: Available	APPROVED BY: Adesh K. Chaurhan
Item Name: Skidpad	SHEET 2 OF 2 All dimensions are in mm.

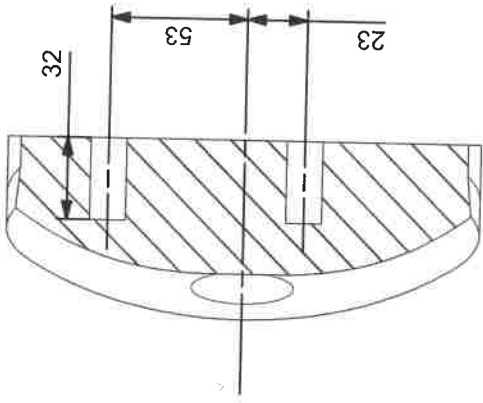
M12*?? (No. of threaded holes- 4)



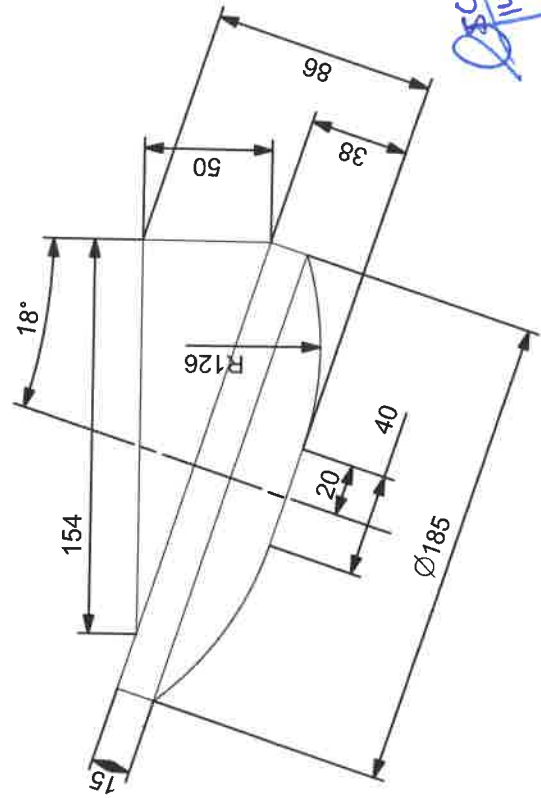
Top View



Side View



SECTION L-L



Front View




Isometric View

Drawing 2.2-Skidpad

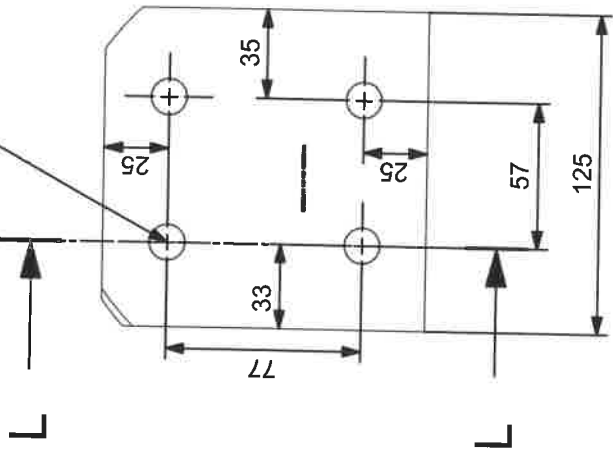
Quantity-2

All dimensions are in mm.

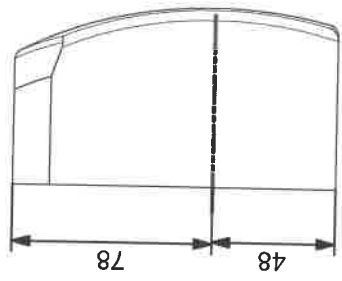
International Center for Automotive Technology, 26th No. 26, Sector-3, MT Marg, Gurugram, Haryana 122003		 ICAT Innovation • Service • Excellence	
Mass Size: ISO 14405	Referencing: ISO 8015	CO-ORD. DEPARTMENT	
MATERIAL: Nylon	WEIGHT (t net): 1.55 Kg	DRAWN BY: Shubhin Chandel	
DRAWING NO.: ICAT/UM/2	STATUS: Available	CHECKED BY: Sagar Singh Rawlone	
ITEM NAME: Skidpad		APPROVED BY: Adish K. Chauran	
		SHEET 1 OF 2	

Signature
14/10/2022

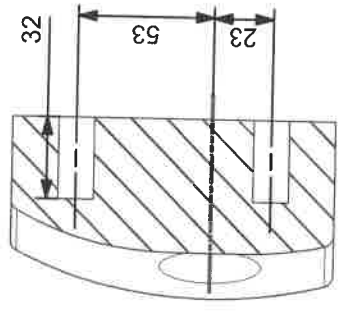
M12*??? (No. of threaded holes-4)



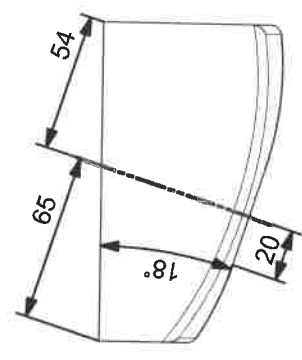
Top View



Side View

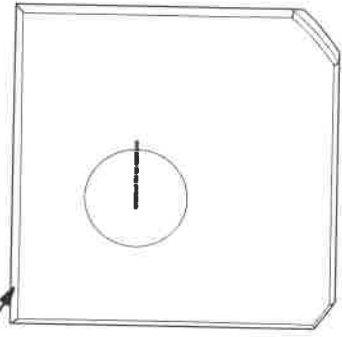


SECTION L-L

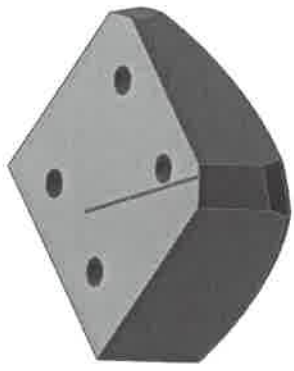


Front View

Fillet 4mm on bottom face corner edges



Bottom View



Isometric View

Quantity-2

All dimensions are in mm.

Signature
14/01/2022

International center for Automotive Technology, Plot No. 26, Sector-3, MT, Mansarovar, Gurgaon, Haryana 122006		ICAT Innovation · Service · Excellence	
Material: Nylon	CAD-CAM DEPARTMENT	Drawn By: Shubhan Chavhan	
Weight: 1.56 Kg		Checked By: Sagar Singh Rathore	
Drawing No.: ICAT/Inv-2		Approved By: Ashish K. Chauhan	
Status: Available			
Item Name: Skidpad			
Tolerancing: ISO 8015			
Manufact: ISO 14005			
SHEET 12 OF 2		All dimensions are in mm.	

Drawing 2.2- Skidpad

