

**AUTOMOTIVE INDUSTRY STANDARD**

**Requirements for Approval of Quiet  
Road Transport Vehicles (QRTV) with  
regard to their reduced audibility**

PRINTED BY  
THE AUTOMOTIVE RESEARCH ASSOCIATION OF INDIA  
P.B. NO. 832, PUNE 411 004

ON BEHALF OF  
AUTOMOTIVE INDUSTRY STANDARDS COMMITTEE

UNDER  
CENTRAL MOTOR VEHICLE RULES – TECHNICAL STANDING COMMITTEE

SET-UP BY  
MINISTRY OF ROAD TRANSPORT and HIGHWAYS  
(DEPARTMENT OF ROAD TRANSPORT and HIGHWAYS)  
GOVERNMENT OF INDIA

November 2022

## INTRODUCTION

The Government of India felt the need for a permanent agency to expedite the publication of standards and development of test facilities in parallel when the work on the preparation of the standards is going on, as the development of improved safety critical parts can be undertaken only after the publication of the standard and commissioning of test facilities. To this end, the erstwhile Ministry of Surface Transport (MOST) has constituted a permanent Automotive Industry Standards Committee (AISC) vide order No. RT-11028/11/97-MVL dated September 15, 1997. The standards prepared by AISC will be approved by the permanent CMVR Technical Standing Committee (CTSC). After approval, the Automotive Research Association of India, (ARAI), Pune, being the Secretariat of the AIS Committee, has published this standard. For better dissemination of this information ARAI may publish this standard on their web site.

This Standard cover requirement for M and N category of vehicles and aligned with UN R 138 (Revision 1) and its Amendments 1 and 2. An informative Annex D has been incorporated in this document indicating corresponding clauses of this document and UN R 138 (Revision 1) and its Amendments 1 and 2.

The AISC panel and the Automotive Industry Standards Committee (AISC) responsible preparation of this standard are given in Annex E and Annex F respectively.

## INDEX

Clause/ Annex	Title	Page No.
1	Scope	1/ 37
2	References	1/37
3	Definitions	1/37
4	Application for approval	3/ 37
5	Specifications	4/ 37
6	Modification of Vehicle Type and Extension of Approval	7/ 37
Annex A	Information on Technical Specifications to be submitted by the Manufacturer	8/ 37
Annex B	Methods and Instruments for Measuring the Sound Made by Motor Vehicles	11/ 37
Annex C	Criteria for Extension of Approval (CEA)	33/ 37
Annex D	Clause Wise References of ECE and this Standard	34/ 37
Annex E	Committee Composition – AISC Panel	36/ 37
Annex F	Committee Composition – AISC	37/37

## **Requirements for Approval of Quiet Road Transport Vehicles (QRTV) With Regard to their Reduced Audibility**

### **1.0 SCOPE**

- 1.1 This standard applies to electrified vehicles of categories M and N as defined in IS 14272:2011 Automotive Vehicles –Types – Terminology (first revision), which can be propelled in the normal mode, in reverse or at least one forward drive gear, without an internal combustion engine operating in respect to their audibility.

### **2.0 REFERENCES**

<b>Standard</b>	<b>Title</b>
UN R 138 (Revision 1 and its Amendments 1 and 2)	Uniform provisions concerning the approval of Quiet Road Transport Vehicles with regard to their reduced audibility

### **3.0 DEFINITIONS**

For the purpose of this standard, the following definitions shall apply.

- 3.1 **Approval of a Vehicle** – The approval of a vehicle type with regard to sound.
- 3.2 **Acoustic Vehicle Alerting System (AVAS)** - A component or set of components installed in vehicles with the primary purpose to fulfil the requirements of this standard.
- 3.3 **Vehicle Type** – A category of vehicles which do not differ in such essential respects as:
- 3.3.1 The shape and the materials of the bodywork of the vehicle which affect the sound level emitted;
- 3.3.2 The principle of the drivetrain (from the batteries to the wheels). Notwithstanding the provisions of paragraph 3.3.2. vehicles which differ with respect to overall gear ratios, battery type or the fitment of a range extender may be considered vehicles of the same type;
- 3.3.3 If applicable, the number and type(s) of sound emitting devices (hardware) of AVAS fitted on the vehicle.
- 3.3.4 If applicable, the position of the AVAS on the vehicle.
- 3.4 **Frequency Shift** - The variation of the frequency content of the AVAS sound as a function of the vehicle speed.
- 3.5 **Electrified vehicle** - A vehicle with a powertrain containing at least one electric motor or electric motor-generator.
- 3.5.1 **Pure Electric Vehicle (PEV)** - A motor vehicle with an electric motor as its sole mean of propulsion

- 3.5.2 **Hybrid Electric Vehicle (HEV)** - A vehicle with a powertrain containing at least one electric motor or electric motor generator and at least one internal combustion engine as propulsion energy converters.
- 3.5.3 **Fuel Cell Vehicle (FCV)** - A vehicle with a fuel cell and an electric machine as propulsion energy converters.
- 3.5.4 **Fuel Cell Hybrid Vehicle (FCHV)** - A vehicle with at least one fuel storage system and at least one Rechargeable Electric Energy Storage System (REESS) as propulsion energy storage system.
- 3.6 **Mass in running order** - The mass of the vehicle, with its fuel tank(s) filled to at least 90 per cent of its or their capacity/ies, including the mass of the driver (75 kg), of the fuel and liquids, fitted with the standard equipment in accordance with the manufacturer's specifications and, when they are fitted, the mass of the bodywork, the cabin, the coupling and the spare wheel(s) as well as the tools.
- 3.7 **Pause function** - A mechanism to enable the driver to halt the operation of an AVAS.
- 3.8 **Front plane of the vehicle** - A vertical plane tangent to the leading edge of the vehicle.
- 3.9 **Rear plane of the vehicle** - A vertical plane tangent to the trailing edge of the vehicle.
- 3.10 Symbols and abbreviated terms and the paragraph in which they are first used.

**Table 1: Symbols and Abbreviations**

Symbol	Unit	Paragraph	Explanation
ICE	-	5.2.	Internal Combustion Engine
AA'	-	Annex B para.B-3.0	Line perpendicular to vehicle travel which indicates the beginning of the zone to record sound pressure level during test
BB'	-	Annex B para. B-3.0	Line perpendicular to vehicle travel which indicates end of the zone to record sound pressure level during test
PP'	-	Annex B para. B-3.0	Line perpendicular to vehicle travel which indicates location of microphones
CC'	-	Annex B para. B-3.0	Centreline of vehicle travel
$v_{\text{test}}$	km/h	Annex B para. B-3.0	Target vehicle test velocity
j	-	Annex B para. B-3.0	Index for single test run within standstill or constant speed test conditions

$L_{reverse}$	dB(A)	Annex B para. B-3.0	Vehicle A-weighted sound pressure level for reversing test
$L_{crs,10}$	dB(A)	Annex B para. B-3.0	Vehicle A-weighted sound pressure level for constant speed test at 10 km/h.
$L_{crs,20}$	dB(A)	Annex B para. B-3.0	Vehicle A-weighted sound pressure level for constant speed test at 20 km/h.
$L_{corr}$	dB(A)	Annex B para.B- 2.3.2.	Background noise correction
$L_{test,j}$	dB(A)	Annex B para.B-2.3.2.	A-weighted sound pressure level result of $j^{th}$ test run
$L_{testcorr,j}$	dB(A)	Annex B para.B-2.3.2.	A-weighted sound pressure level result of $j^{th}$ test run corrected for background noise
$L_{bgn}$	dB(A)	Annex B para. B- 2.3.1	Background A-weighted sound pressure level.
$\Delta L_{bgn, p-p}$	dB(A)	Annex B para.B- 2.3.2.	Range of maximum to minimum value of the representative background noise A-weighted sound pressure level over a defined time period.
$\Delta L$	dB(A)	Annex B para.B- 2.3.2.	A-weighted sound pressure level of $j^{th}$ test result minus the A-weighted background noise level ( $\Delta L = L_{test,j} - L_{bgn}$ )
$v_{ref}$	km/h	Annex B para.B-4.0	Reference vehicle velocity used for calculating frequency shift percentage.
$f_{j, speed}$	Hz	Annex B para.B-4.0	Single frequency component at a given vehicle speed per sample segment, e.g. $f_{1, 5}$
$f_{ref}$	Hz	Annex B para.B-4.0	Single frequency component at reference vehicle speed
$f_{speed}$	Hz	Annex B para.B-4.0	Single frequency component at a given vehicle speed, e.g. $f_5$
$l_{veh}$	m	Annex B, Appendix	Length of vehicle

#### 4.0 APPLICATION FOR APPROVAL

- 4.1 The application for approval of a vehicle type with regard to reduced audibility shall be submitted by its manufacturer or by a duly accredited representative.
- 4.2 It shall be accompanied by the undermentioned documents and the following particulars:
- 4.2.1 A description of the vehicle type with regard to the items mentioned in paragraph 3.3. above;
- 4.2.2 A description of the engine(s) as mentioned in Annex A.

- 4.2.3 If applicable, a list of the components constituting the AVAS.
- 4.2.4 If applicable, a drawing of the assembled AVAS and an indication of its position on the vehicle.
- 4.3 In the case of paragraph 3.3., the single vehicle, representative of the type in question, will be selected by the Technical Service conducting approval tests, in accordance with the vehicle manufacturer.
- 4.4 The testing agency shall verify the existence of satisfactory arrangements for ensuring effective control of the conformity of production before type approval is granted.

## **5.0 SPECIFICATIONS**

### **5.1 General**

For the purpose of this standard, the vehicle shall fulfil the following requirements:

#### **5.2 Acoustics characteristics**

The sound emitted by the vehicle type submitted for approval shall be measured by the methods described in Annex B to this standard. The specifications of this standard are applicable for the speed range of greater than 0 km/h up to and inclusive 20 km/h. Operation of an AVAS is permitted at vehicle speeds outside the specification range. AVAS may be operational independent of the operation of an internal combustion engine inside or outside of the specified operation range.

If the vehicle that is not equipped with an AVAS fulfils the overall levels as specified in Table 2 below with a margin of +3 dB(A), the specification for one-third octave bands and the frequency shift do not apply.

##### **5.2.1 Constant speed tests**

5.2.1 The test speeds for approval are 10 km/h and 20 km/h.

5.2.1 When tested under the conditions of Annex B paragraph B-3.3.2., the vehicle shall emit a sound:

- (a) That has a minimum overall sound pressure level for the applicable test speed according to Table 2 of paragraph 5.2.9.
- (b) That has at least two of the one-third octave bands according to Table 2 of paragraph 5.2.9. At least one of these bands shall be below or within the 1,600 Hz one-third octave band.
- (c) With minimum sound pressure levels in the chosen bands for the applicable test speed according to Table 2 of paragraph 5.2.9., column 3 or column 4.

5.2.1.3 In case of hybrid vehicles, equipped with an internal combustion engine: if the manufacturer can demonstrate to the testing agency that the vehicle cannot be assessed according to the provisions of the standard because the internal combustion engine used for direct propulsion will be operational during the specified tests within this standard, this standard shall be deemed not applicable to this vehicle.

- 5.2.1.4 If after a vehicle is tested in accordance with Annex B paragraph 3.3.2., for ten consecutive times within a series of measurements without recording a valid measurement because the vehicle's internal combustion engine (ICE) remains active or restarts and interferes with the measurements, the vehicle is exempted from this particular test.
- 5.2.2 Reversing test
- 5.2.2.1 When tested under the conditions of Annex B paragraph B-3.3.3. the vehicle shall emit a sound that has a minimum overall sound pressure level according to Table 2 of paragraph 5.2.9., column 5.
- 5.2.2.2 In case of hybrid vehicles, equipped with an internal combustion engine: if the manufacturer can demonstrate to the testing agency that the vehicle cannot be assessed according to the provisions of the standard because the internal combustion engine used for direct propulsion will be operational during the specified tests within this standard, this standard shall be deemed not applicable to this vehicle.
- 5.2.2.3 If after a vehicle is tested in accordance with Annex B, paragraph 3.3.3., for ten consecutive times within a series of measurements without recording a valid measurement because the vehicle's ICE remains active or restarts and interferes with the measurements, the vehicle is exempted from this particular test.
- 5.2.3 Frequency shift to signify acceleration and deceleration
- 5.2.3.1 The intention of frequency shift is to acoustically inform road users about the change in vehicle speed.
- 5.2.3.2 When tested under the conditions of Annex B paragraph 4, at least one tone within the frequency range as specified in paragraph 5.2.9. emitted by the vehicle shall vary proportionally with speed within each individual gear ratio by an average of at least 0.8 % per 1 km/h in the speed range from 5 km/h to 20 km/h inclusive when driving in forward direction. In case more than one frequency is shifted, only one frequency shift needs to fulfil the requirements.
- 5.2.4 Stationary sound
- The vehicle may emit a sound when stationary.
- 5.2.5 Driver selectable sounds
- The vehicle manufacturer may define alternative sounds which can be selected by the driver; each of these sounds shall be in compliance and approved with the provisions in paragraphs 5.2.1. to 5.2.3.
- 5.2.6 AVAS Sound Level Variation
- If fitted, an AVAS may operate at different sound levels either automatically managed by the control unit or manually selected by the driver, each selected sound level shall be in compliance with the specifications outlined in paragraphs 5.2.1. to 5.2.3. and paragraphs 5.2.8 and 5.2.9.



5.2.7 Pause function

Any pause function as defined in paragraph 3.7 shall be prohibited.

5.2.8 Specifications on maximum sound level for AVAS

When tested under the conditions of Annex B paragraph B-3.3.2., a vehicle which is equipped with an AVAS, shall not emit an overall sound level of more than 75 dB(A), if driving in forward direction.

5.2.9 Minimum sound levels

The sound level measured in accordance with the provisions of Annex B to this standard, mathematically rounded to the nearest integer value, shall have at least the followings values:

Table 2: Minimum Sound Level Requirements in dB(A)

<i>Frequency in Hz</i>		<i>Constant Speed Test paragraph B-3.3.2. (10 km/h)</i>	<i>Constant Speed Test paragraph B-3.3.2. (20 km/h)</i>	<i>Reversing Test paragraph B-3.3.3.</i>
<i>Column 1</i>	<i>Column 2</i>	<i>Column 3</i>	<i>Column 4</i>	<i>Column 5</i>
Overall		50	56	47
1/3 <sup>rd</sup> Octave Bands	160	45	50	X
	200	44	49	
	250	43	48	
	315	44	49	
	400	45	50	
	500	45	50	
	630	46	51	
	800	46	51	
	1,000	46	51	
	1,250	46	51	
	1,600	44	49	
	2,000	42	47	
	2,500	39	44	
	3,150	36	41	
	4,000	34	39	
5,000	31	36		

**6.0 MODIFICATION OF VEHICLE TYPE AND EXTENSION OF APPROVAL**

- 6.1 Every modification of the vehicle type shall be notified to the testing agency. Testing agency may then either,
  - 6.1.1 Consider that the modifications made are unlikely to have an appreciable adverse effect and that in any case the vehicle still complies with the requirements, or
  - 6.1.2 Require further testing. For considering whether testing is required or not, guidelines given in Annex C shall be followed. In this case, checks for those parameters which are affected by the modifications only need to be carried out.
- 6.2 After successful compliance to requirements, the certificate of compliance shall be validated for the modified version.

**ANNEX A**  
**INFORMATION ON TECHNICAL SPECIFICATIONS**  
**TO BE SUBMITTED BY THE MANUFACTURER**

Sl. No.	Specification
<b>1.0</b>	<b>Details of Vehicle Manufacturer</b>
1.1	Manufacturer's name and address
1.2	Telephone No.
1.3	Fax No.
1.4	E-Mail address
1.5	Contact person
1.6	Name of the model and variants
1.7	Plant(s) of manufacturer
<b>2.0</b>	<b>Vehicle Type</b>
2.1	Type of vehicle
2.2	Category of vehicle
<b>3.0</b>	<b>General construction characteristics of the vehicle</b>
3.1	Photographs and/or drawings of a representative vehicle
3.2	Number of axles and wheels (Only for the purpose of defining "off-road vehicles)
3.2.1	Powered axles (number, position, interconnection)
3.3	Position and arrangement of the engine(s)
<b>4.0</b>	<b>Masses and dimensions (in kg and mm) (Refer to drawing where applicable)</b>
4.1	Range of vehicle dimensions (overall)
4.1.1	For chassis without bodywork
4.1.1.1	Length
4.1.1.2	Width
4.1.2	For chassis with bodywork
4.1.2.1	Length

Sl. No.	Specification
4.1.2.2	Width
4.2	Mass in running order minimum and maximum:.....
<b>5.0</b>	<b>Power plant</b>  (In the case of a vehicle that can run either on petrol, diesel, etc., or also in combination with another fuel, items shall be repeated. In the case of non-conventional engines and systems, particulars equivalent to those referred here shall be supplied by the manufacturer)
5.1	Manufacturer of the engine(s)
5.1.1	Manufacturer's engine code(s) (as marked on the engine(s), or other means of identification)
5.2	Electric motor
5.2.1	Type of the electric motor (winding, excitation)
5.3	Engine or motor combination
5.3.1	Electric motor (describe each type of electric motor separately)
5.3.1.1	Make
5.3.1.2	Type
5.3.2.3	Maximum power, kW
<b>6.0</b>	<b>Suspension</b>
6.1	Tyre size
6.1.1	Upper and lower limits of rolling radii
6.1.1.1	Axle 1
6.1.1.2	Axle 2
6.1.1.3	Axle 3
6.1.1.4	Axle 4
<b>7.0</b>	<b>Bodywork</b>
7.1	Type of bodywork
7.2	Materials used and methods of construction
8.0	Miscellaneous

Sl. No.	Specification
8.1	Details of materials and components influencing the sound emission of the vehicle (if not covered by other items)
<b>9.0</b>	<b>AVAS (if applicable)</b>
9.1	Type of the AVAS (loudspeaker ...)
9.1.1	Make
9.1.2	Type
9.1.3	Geometrical characteristics (internal length and diameter)
9.2	The following documents are annexed to this communication
9.2.1	Drawings of the mountings of the sound emitting device(s)
9.2.2	Drawings and diagrams giving the mounting positions and characteristics of the parts of the structure on which the devices are fitted
9.2.3	Over-all views of the front of the vehicle and of the compartment in which the device is situated and description of the component materials
<b>Signed</b>	
<b>Position in company</b>	
<b>Date</b>	

**ANNEX B****METHODS AND INSTRUMENTS FOR MEASURING THE SOUND MADE BY  
MOTOR VEHICLES****B-1.0 Instrumentation****B-1.1 Instruments for acoustic measurement****B-1.1.1 General**

The apparatus used for measuring the sound pressure level shall be a sound level meter or equivalent measurement system meeting the requirements of Class 1 instruments (inclusive of the recommended windscreen, if used). These requirements are described in IEC 61672-1-2013.

The entire measurement system shall be checked by means of a sound calibrator that fulfils the requirements of Class 1 sound calibrators in accordance with IEC 60942-2003.

Measurements shall be carried out using the time weighting "F" of the acoustic measurement instrument and the "A" frequency weighting also described in IEC 61672-1-2013. When using a system that includes a periodic monitoring of the A-weighted sound pressure level, a reading should be made at a time interval not greater than 30 ms.

When measurements are carried out for one-third octaves, the instrumentation shall meet all requirements of IEC 61260-1-2014, class 1.

When measurements are carried out for frequency shift, the digital sound recording system shall have at least a 16-bit quantization. The sampling rate and the dynamic range shall be appropriate to the signal of interest.

The instruments shall be maintained and calibrated in accordance with the instructions of the instrument manufacturer.

**B-1.1.2 Calibration**

At the beginning and at the end of every measurement session, the entire acoustic measurement system shall be checked by means of a sound calibrator as described in paragraph 1.1.1. Without any further adjustment, the difference between the readings shall be less than or equal to 0.5 dB(A). If this value is exceeded, the results of the measurements obtained after the previous satisfactory check shall be discarded.

**B-1.1.3 Compliance with requirements**

Compliance of the sound calibrator with the requirements of IEC 60942-2003 shall be verified once a year. Compliance of the instrumentation system with the requirements of IEC 61672-3-2013 shall be verified at least every 2 years.

All compliance testing shall be conducted by a laboratory which is authorized to perform calibrations traceable to the appropriate standards.

**B-1.2 Instrumentation for speed measurements**

The road speed of the vehicle shall be measured with instruments meeting specification limits of at least  $\pm 0.5$  km/h when using continuous measuring devices.

If testing uses independent measurements of speed, this instrumentation shall meet specification limits of at least  $\pm 0.2$  km/h.

**B-1.3 Meteorological instrumentation**

The meteorological instrumentation used to monitor the environmental conditions during the test shall meet the specifications of:

- (a)  $\pm 1$  °C or less for a temperature measuring device;
- (b)  $\pm 1.0$  m/s for a wind speed-measuring device;
- (c)  $\pm 5$  hPa for a barometric pressure measuring device;
- (d)  $\pm 5$  % for a relative humidity measuring device.

**B-2.0 Acoustic environment, meteorological conditions, and background noise****B-2.1 Test site****B-2.1.1 General**

The specifications for the test site provide the necessary acoustic environment to carry out the vehicle tests documented in this standard. Outdoor and indoor test environments that meet the specifications of this standard provide equivalent acoustic environments and produce results that are equally valid.

**B-2.1.2 Outdoor testing**

The test site shall be substantially level. For the measurement of vehicles in motion, the test track construction and surface shall meet the requirements of ISO 10844:2014. For the measurement of vehicles at a standstill, the test area shall be either:

- (a) ISO 10844:2014; or
- (b) Other dense asphalt; or
- (c) Dense concrete.

Within a radius of 50 m around the centre of the track, the space shall be free of large reflecting objects such as fences, rocks, bridges or buildings. The test track and the surface of the site shall be dry and free from absorbing materials such as powdery snow, or loose debris.

In the vicinity of the microphones, there shall be no obstacle that could influence the acoustic field and no person shall remain between the microphone and the noise source. The meter observer shall be positioned so

as not to influence the meter reading. Microphones shall be located as specified in Figure 1 of the Appendix to this annex.

### B-2.1.3 Indoor hemi anechoic or anechoic testing

This paragraph specifies conditions applicable when testing a vehicle, either operating as it would on the road with all systems operational or operating in a mode where only the AVAS is operational.

The test facility shall meet requirements of ISO 26101:2012 with the following qualification criteria and measurement requirements appropriate to this test method.

Space to be deemed hemi-anechoic shall be defined as shown in Figure 3 of the Appendix to this annex.

For qualifying the hemi acoustic space, the following evaluation shall be conducted:

- (a) Sound source location shall be place on the floor in middle of the space deemed to be anechoic;
- (b) Sound source shall provide a broadband input for measurement;
- (c) Evaluation shall be conducted in one-third-octave bands;
- (d) Microphone locations for evaluation shall be on a line from the source location to each position of microphones used for measurement in this Standard as shown in Figure 3 of the Appendix to this annex. This is commonly referred to as the microphone transverse;
- (e) A minimum of 10 points shall be used for evaluation on the microphone transverse line;
- (f) The one third octave bands used to establish hemi-anechoic qualification shall be defined to cover the spectral range of interest.

The test facility shall have a cut-off frequency, as defined in ISO 26101:2012, lower than the lowest frequency of interest. The lowest frequency of interest is the frequency below which there is no signal content relevant to the measurement of sound emission for the vehicle under test.

In the vicinity of the microphones, there shall be no obstacle that could influence the acoustic field and no person shall remain between the microphone and the noise source. The meter observer shall be positioned so as not to influence the meter reading. Microphones shall be located as specified in Figure 2 of the Appendix to this annex.

## B-2.2 Meteorological conditions

### B-2.2.1 For outdoor facilities

Metrological conditions are specified to provide a range of normal operating temperatures and to prevent abnormal readings due to extreme environmental



conditions.

The meteorological instrumentation shall deliver data representative for the test site and shall be positioned adjacent to the test area at a height representative of the height of the measuring microphone.

A value representative of temperature, wind speed, relative humidity, and barometric pressure shall be recorded during the measurement interval.

The measurements shall be made when the ambient air temperature is within the range from 5 °C to 45 °C.

The ambient temperature may, of necessity, be restricted to a narrower temperature range such that all key vehicle functionalities that can reduce vehicle noise emissions (e.g. start/stop, hybrid propulsion, battery propulsion, fuel-cell stack operation) are enabled according to manufacturer's specifications.

The tests shall not be carried out if the wind speed, including gusts, at microphone height exceeds 5 m/s, during the measurement interval.

#### B-2.2.2 For indoor facilities

Meteorological conditions are specified to provide a range of normal operating temperatures and to prevent abnormal readings due to extreme environmental conditions.

The meteorological instrumentation shall deliver data representative for the test site and values of temperature, relative humidity, and barometric pressure shall be recorded during the measurement interval.

The measurements shall be made when the ambient air temperature is within the range from 5 °C to 40 °C.

The ambient temperature may, of necessity, be restricted to a narrower temperature range such that all key vehicle functionalities that can reduce vehicle noise emissions (e.g. start/stop, hybrid propulsion, battery propulsion, fuel-cell stack operation) are enabled according to manufacturer's specifications.

#### B-2.3 Background noise

##### B-2.3.1 Measurement criteria for A-weighted sound pressure level

The background, or ambient noise, shall be measured for a duration of at least 10 seconds. A 10 second sample taken from these measurements shall be used to calculate the reported background noise, ensuring the 10 seconds sample selected is representative of the background noise in absence of any transient disturbance. The measurements shall be made with the same microphones and microphone locations used during the test.

When testing in an indoor facility, the noise emitted by the roller-bench, chassis dynamometer or other test facility equipment, without the vehicle installed or present, inclusive of the noise caused by air handling of the

facility and vehicle cooling, shall be reported as the background noise.

The recorded maximum A-weighted sound pressure level from both microphones during the 10 second sample shall be reported as the background noise,  $L_{bgn}$ , for both left and right microphones.

For each 10 second sample at each microphone, the maximum to minimum range of the background noise,  $\Delta L_{bgn, p-p}$ , shall be reported.

The one-third-octave frequency spectrum, corresponding to the reported maximum level of background noise in the microphone with the highest background level, shall be reported.

As an aid for measurement and reporting of background noises see flowchart in Figure 4 of the Appendix to this annex.

B-2.3.2 Vehicle A-weighted sound pressure level measurement correction criteria

Depending on the level and the range of maximum to minimum value of the representative background noise A-weighted sound pressure level over a defined time period, the measured  $j^{th}$  test result within a test condition,  $L_{test,j}$ , shall be corrected according to the table below to obtain the background noise corrected level  $L_{testcorr,j}$ . Except where noted,  $L_{testcorr,j} = L_{test,j} - L_{corr}$ .

Background noise corrections to measurements are only valid when the range of the maximum to minimum background noise A-weighted sound pressure levels are 2 dB(A) or less.

In all cases where the range of the maximum to minimum background noise is greater than 2 dB(A), the maximum level of the background noise shall be 10 dB(A) or greater below the level of the measurement. When the maximum to minimum range of background noise is greater than 2 dB(A) and the level of the background noise is less than 10 dB(A) below the measurement, no valid measurement is possible.

Table 3 - Correction for level of background noise when measuring vehicle, A-weighted sound pressure level

<i>Correction for background noise</i>		
<i>Range of maximum to minimum value of the representative background noise A-weighted sound pressure level over a defined time period <math>\Delta L_{bgn, p-p}</math> in dB(A)</i>	<i>Sound pressure level of <math>j</math>-th test result minus background noise level  <math>\Delta L = L_{test,j} - L_{bgn}</math>  in dB(A)</i>	<i>Correction in dB(A)  <math>L_{corr}</math></i>
-	$\Delta L \geq 10$	no correction needed
$\leq 2$	$8 \leq \Delta L < 10$	0.5
	$6 \leq \Delta L < 8$	1.0

	$4.5 \leq \Delta L < 6$	1.5
	$3 \leq \Delta L < 4.5$	2.5
	$\Delta L < 3$	no valid measurement can be reported

If a sound peak obviously out of character with the general sound pressure level is observed, that measurement shall be discarded.

As an aid for measurement correction criteria see flowchart in Figure 5 of the appendix to this annex.

### B-2.3.3 Background noise requirements when analysing in one-third-octave bands

When analysing one-third octaves according to this Standard, the level of background noise in each one-third octave of interest, analysed according to paragraph 2.3.1., shall be at least 6 dB(A) below the measurement of the vehicle or AVAS under test in each one-third-octave band of interest. The A-weighted sound pressure level of the background noise shall be at least 10 dB(A) below the measurement of the vehicle or AVAS under test.

Background compensation is not permitted for one-third octave band measurements.

As an aid for background noise requirements when analysing in one-third-octave bands see flowchart in Figure 6 of the Appendix to this annex.

### B-3.0 Test procedures for vehicle sound level

#### B-3.1 Microphone positions

The distance from the microphone positions on the microphone line PP' to the perpendicular reference line CC' as specified in Figure 1 and 2 of the Appendix to this annex on the test track or in an indoor test facility shall be  $2.0 \text{ m} \pm 0.05 \text{ m}$ .

The microphones shall be located  $1.2 \text{ m} \pm 0.02 \text{ m}$  above the ground level. The reference direction for free field conditions as specified in IEC 61672-1:2013 shall be horizontal and directed perpendicularly towards the path of the vehicle line CC'.

#### B-3.2 Conditions of the vehicle

##### B-3.2.1 General conditions

The vehicle shall be representative of vehicles to be put on the market as specified by the manufacturer in agreement with the Testing Agency to fulfil the requirements of this Standard.

Measurements shall be made without any trailer, except in the case of non-separable vehicles.

In the case of HEVs/FCHVs, the test shall be carried out in the most energy efficient mode so to avoid the restart of the ICE, e.g. all audio-, entertainment-, communication- and navigation-systems shall be switched off.

Before the measurements are started, the vehicle shall be brought to its normal operating conditions.

#### B-3.2.2 Battery state of charge

If so equipped, propulsion batteries shall have a state-of-charge sufficiently high to enable all key functionalities according to the manufacturer's specifications. Propulsion batteries shall be within their component-temperature window to enable all key functionalities that could reduce vehicle sound emissions. Any other type of rechargeable energy storage system shall be ready to operate during the test.

#### B-3.2.3 Multi-mode operation

If the vehicle is equipped with multiple driver selectable operating modes, the mode which provides the lowest sound emission during the test conditions of paragraph B-3.3. shall be selected.

When the vehicle provides multiple operating modes that are automatically selected by the vehicle, it is the responsibility of the manufacturer to determine the correct manner of testing to achieve the minimum sound emission.

In cases where it is not possible to determine the vehicle operating mode providing the lowest sound emission, all modes shall be tested and the mode giving the lowest test result shall be used to report the vehicle sound emission in accordance with this standard.

#### B-3.2.4 Test mass of vehicle

Measurements shall be made on vehicles at mass in running order with an allowable tolerance of 15 per cent.

#### B-3.2.5 Tyre selection and condition

The tyres fitted to the vehicle during testing are selected by the vehicle manufacturer, and shall correspond to one of the tyre sizes and types designated for the vehicle by the vehicle manufacturer.

The tyres shall be inflated to the pressure recommended by the vehicle manufacturer for the test mass of the vehicle.

### B-3.3 Operating conditions

#### B-3.3.1 General

For each operating condition, the vehicle can be tested either indoor or outdoor.

For constant speed and reversing tests the vehicle may be tested either in motion or in simulated operating condition. For simulated vehicle operation, signals shall be applied to the vehicle to simulate actual in-use operation.

If the vehicle is equipped with an internal combustion engine, it shall be turned off.

#### B-3.3.2 Constant speed tests

These tests are conducted with the vehicle in forward motion or with the vehicle speed simulated by an external signal to the AVAS with the vehicle in standstill condition.

##### B-3.3.2.1 Constant speed tests in forward motion

For a vehicle tested in an outdoor facility, the path of the centreline of the vehicle shall follow line CC' as closely as possible with constant speed  $v_{\text{test}}$  throughout the entire test. The front plane of the vehicle shall pass from the line AA' at the start of the test and the rear plane of the vehicle shall pass from the line BB' at the end of the test, as shown in Figure 1a of the Appendix to this annex. Any trailer, which is not readily separable from the towing vehicle, shall be ignored when considering the crossing of the line BB'.

A vehicle tested in an indoor facility, shall be located with the front plane of the vehicle on the PP' line as shown in Figure 2a of the Appendix to this annex. The vehicle shall maintain a constant test speed,  $v_{\text{test}}$  for at least 5 seconds.

For constant speed test condition of 10 km/h, the test speed  $v_{\text{test}}$  shall be  $10 \text{ km/h} \pm 2 \text{ km/h}$ .

For constant speed test condition of 20 km/h, the test speed  $v_{\text{test}}$  shall be  $20 \text{ km/h} \pm 1 \text{ km/h}$ .

For automatic transmission vehicles, the gear selector shall be placed as specified by the manufacturer for normal driving.

For manual transmission vehicles, the gear selector shall be placed in the highest gear which can achieve the target vehicle speed with constant engine speed.

##### B-3.3.2.2 Constant speed tests simulated by an external signal to the AVAS with the vehicle in standstill condition

A vehicle tested in an indoor or outdoor facility, shall be located with the front plane of the vehicle on the PP' line as shown in Figure 2b of the Appendix to this annex. The vehicle shall maintain a constant simulated test speed,  $v_{\text{test}}$  for at least 5 seconds.

For constant speed test condition of 10 km/h, the simulated test speed  $v_{\text{test}}$  shall be  $10 \text{ km/h} \pm 0.5 \text{ km/h}$ .

For constant speed test condition of 20 km/h, the simulated test speed  $v_{\text{test}}$  shall be  $20 \text{ km/h} \pm 0.5 \text{ km/h}$ .

### B-3.3.3 Reversing tests

These tests may be conducted with the vehicle in rearward motion or with the vehicle speed simulated by an external signal to the AVAS or with the vehicle in standstill condition.

#### B-3.3.3.1 Reversing test in motion

For a vehicle tested in an outdoor facility, the path of the centreline of the vehicle shall follow line CC' as closely as possible with constant speed  $v_{\text{test}}$  throughout the entire test. The rear plane of the vehicle shall pass from the line AA' at the start of the test and the front plane of the vehicle shall pass from the line BB' at the end of the test, as shown on Figure 1b of the Appendix to this annex. Any trailer, which is not readily separable from the towing vehicle, shall be ignored when considering the crossing of the line BB'.

A vehicle tested in an indoor facility, shall be located with the rear plane of the vehicle on the PP' line as shown in Figure 2b of the Appendix to this annex. The vehicle shall maintain a constant test speed,  $v_{\text{test}}$  for at least 5 seconds.

For constant speed test condition of 6 km/h, the test speed  $v_{\text{test}}$  shall be  $6 \text{ km/h} \pm 2 \text{ km/h}$ .

For automatic transmission vehicles, the gear selector shall be placed as specified by the manufacturer for normal reverse driving.

For manual transmission vehicles, the gear selector shall be placed in the highest reverse gear which can achieve the target vehicle speed with constant engine speed.

#### B-3.3.3.2 Reversing test simulated by an external signal to the AVAS with the vehicle in standstill condition

A vehicle tested in an indoor or outdoor facility, shall be located with the rear plane of the vehicle on the PP' line as shown in Figure 2b of the Appendix to this annex. The vehicle shall maintain a constant simulated test speed,  $v_{\text{test}}$  for at least 5 seconds.

For constant test condition of 6 km/h, the simulated test speed  $v_{\text{test}}$  shall be  $6 \text{ km/h} \pm 0.5 \text{ km/h}$ .

#### B-3.3.3.3 Reversing test in standstill condition

A vehicle tested in an indoor or outdoor facility, shall be located with the rear plane of the vehicle on the PP' line as shown in Figure 2b of the Appendix to this annex.

The vehicle's gear selection control shall be in the reverse position and the brake released for the test.

### B-3.4 Measurement readings and reported values

At least four measurements for each test condition shall be made on both sides of the vehicle.

The first four valid consecutive measurement results for each test condition, within 2.0 dB(A) per side, allowing for the deletion of non-valid results, shall be used for the calculation of the intermediate or final result.

If a sound peak obviously out of character with the general sound pressure level is observed, that measurement shall be discarded. For measurement of a vehicle in motion (forward and reversing) outdoor, the maximum A-weighted sound pressure level indicated during each passage of the vehicle between AA' and PP' ( $L_{\text{test},j}$ ) shall be noted for each microphone position, to the first significant digit after the decimal place (for example XX.X). For measurement of a vehicle in motion indoor and in standstill (forward and reversing), the maximum A-weighted sound pressure level indicated during each period of 5 seconds for each microphone position,  $L_{\text{test},j}$ , shall be noted, to the first significant digit after the decimal place (for example XX.X).

$L_{\text{test},j}$  shall be corrected according to paragraph B-2.3.2. to obtain  $L_{\text{testcorr},j}$ .

For each maximum A-weighted sound pressure level, the corresponding one-third-octave spectrum shall be reported for each microphone position. No background correction shall be applied to any measured one-third octave result.

#### B-3.5 Data compilation and reported results

For each test condition described in paragraph B-3.3., the background corrected results,  $L_{\text{testcorr},j}$ , and the corresponding one third octave spectra of both sides of the vehicle individually shall be arithmetically averaged and rounded to the first decimal place.

The final A-weighted sound pressure level results  $L_{\text{crs } 10}$ ,  $L_{\text{crs } 20}$  and  $L_{\text{reverse}}$  to be reported are the lower values of the two averages of both sides, rounded to the nearest integer. The final one third octave spectra to be reported are the spectra corresponding to the same side as the reported A-weighted sound pressure level.

#### B-4.0 Test procedures for frequency shift

##### B-4.1 General

The provisions on frequency shift outlined in 5.2.3 of the main body shall be checked using one of the following test methods to be selected by the manufacturer:

Method (A) Test of the complete vehicle in motion on an outdoor test track

Method (B) Test of the complete vehicle in standstill condition on an outdoor test track with simulation of the vehicle movement to the AVAS by an external signal generator

Method (C) Test of the complete vehicle in motion in an indoor facility on a chassis dynamometer

- Method (D) Test of the complete vehicle in standstill condition in an indoor facility with simulation of the vehicle movement to the AVAS by an external signal generator
- Method (E) Test of the AVAS without a vehicle in an indoor facility with simulation of the vehicle movement to the AVAS by an external signal generator

The facility requirements as well as the vehicle and test setup specifications are the same as given in paragraphs 1., 2., 3.1. and 3.2. of annex B according to the selected test method unless the following paragraphs below provide different or additional specifications.

No background noise correction shall be applied to any measurement. Special care shall be given for outdoor measurements. Any interference of the background noise shall be avoided. If a sound peak obviously out of character with the general signal is observed, that measurement shall be discarded.

#### B-4.2 Instrumentation and signal processing

Analyser settings shall be agreed between the manufacturer and the Technical Service to provide data according to these requirements.

The sound analysis system shall be capable of performing spectral analysis at a sampling rate and over a frequency range containing all frequencies of interest. The frequency resolution shall be sufficiently precise to differentiate between the frequencies of the various test conditions.

#### B-4.3 Test methods

##### B-4.3.1 Method (A) – Outdoor facility and vehicle in motion

The vehicle shall be operated in the same outdoor test facility and according to the same general operating condition as for the vehicle constant speed testing (paragraph B-3.3.2.).

The vehicle sound emission shall be measured at target speeds of 5 km/h to 20 km/h in steps of 5 km/h with a tolerance of  $\pm 2$  km/h for the speed of 10 km/h or less and of  $\pm 1$  km/h for any other speeds. The speed of 5 km/h is the lowest target speed. If the vehicle cannot be operated at this speed within the given precision, the lowest possible speed below 10 km/h shall be used instead.

##### B-4.3.2 Method (B) and Method (D) – Outdoor/Indoor facility and vehicle in standstill

The vehicle shall be operated in a test facility where the vehicle can accept an external vehicle speed signal to the AVAS simulating vehicle operation. The microphone locations shall be as for the complete vehicle test conditions as specified in Figure 2a of the Appendix to annex B. The front plane of the vehicle shall be placed on line PP'.

The vehicle sound emission shall be measured at simulated speeds of 5 km/h to 20 km/h in steps of 5 km/h with a tolerance of  $\pm 0.5$  km/h for each test speed.



#### B-4.3.3 Method (C) – Indoor facility and vehicle in motion

The vehicle shall be installed in an indoor test facility where the vehicle can operate on a chassis dynamometer in the same manner as outdoors. All microphone locations shall be as for the vehicle test conditions as specified in Figure 2a of the Appendix to annex B. The front plane of the vehicle shall be placed on line PP'.

The vehicle sound emission shall be measured at target speeds of 5 km/h to 20 km/h in steps of 5 km/h with a tolerance of  $\pm 2$  km/h for the speed of 10 km/h or less and of  $\pm 1$  km/h for any other speeds. The speed of 5 km/h is the lowest target speed. If the vehicle cannot be operated at this speed within the given precision, the lowest possible speed below 10 km/h shall be used instead.

#### B-4.3.4 Method (E)

The AVAS shall be mounted rigidly in an indoor facility, by means of the equipment indicated by the manufacturer. The microphone of the measuring instrument shall be placed at 1 m distance from the AVAS in the direction where the subjective sound level is greatest and placed at a height of approximately the same level as the sound radiation of the AVAS.

The sound emission shall be measured at simulated speeds of 5 km/h to 20 km/h in steps of 5 km/h with a tolerance of  $\pm 0.5$  km/h for each test speed.

#### B-4.4 Measurement Readings

##### B-4.4.1 Test Method (A)

At least four measurements shall be made at every speed specified in paragraph B-4.3.1. The emitted sound shall be recorded during each passage of the vehicle between AA' and BB' for each microphone position. From each measurement sample a segment taken from AA until -1 meter before PP' shall be cut out for further analysis.

##### B-4.4.2 Test Methods (B), (C), (D) and (E)

The emitted sound shall be measured at every speed specified in correlated paragraphs above for at least 5 seconds. As an aid for measurement of frequency shift see flowchart in Figure 7a, 7b or 7c of the Appendix to this annex.

##### B-4.5 Signal Processing

For each recorded sample the average auto power spectrum shall be determined, using a Hanning window and at least 66.6 per cent overlap averages. The frequency resolution shall be chosen to be sufficiently narrow as to allow a separation of the frequency shift per target condition. The reported speed per sample segment is the average vehicle speed over the time of the sample segment rounded to the first decimal place.

In case of test method (A) the frequency that is intended to be changed with the speed shall be determined per sample segment. The reported frequency per target condition  $f_{speed}$  shall be the mathematical average of the frequencies determined per measurement sample and rounded to the nearest integer. The reported speed per target condition shall be the mathematical average of the four sample segments.

Table 4 - Analysis of the shifted frequency per target condition per side

<i>Target speed</i>	<i>Test run per target condition</i>	<i>Reported speed (average per sample segment)</i>	<i>Determined frequency of interest (f<sub>i, speed</sub>)</i>	<i>Reported Speed per target condition (average of the reported speeds)</i>	<i>Reported frequency of interest per target condition (f<sub>speed</sub>)</i>
<i>km/h</i>	<i>No</i>	<i>km/h</i>	<i>Hz</i>	<i>km/h</i>	<i>Hz</i>
5	1				
	2				
	3				
	4				
10	1				
	2				
	3				
	4				
15	1				
	2				
	3				
	4				
20	1				
	2				
	3				
	4				

For all other test methods, the derived frequency spectrum shall directly be used for the further calculation.

B-4.5.1 Data compilation and reported results

The frequency intended to be shifted shall be used for the further calculation. The frequency of the lowest reported test speed rounded to the nearest integer is taken as the reference frequency  $f_{ref}$ .

For the other vehicle speeds, the corresponding shifted frequencies  $f_{\text{speed}}$  rounded to the nearest integer shall be taken from the spectra analysis. Calculate  $\Delta f$ , the frequency shift of the signal according to equation (1):

$$\Delta f = \left\{ \left[ \frac{f_{\text{speed}} - f_{\text{ref}}}{v_{\text{test}} - v_{\text{ref}}} \right] / f_{\text{ref}} \right\} \cdot 100 \quad \text{equation (1)}$$

where

$f_{\text{speed}}$  is the frequency at a given speed value;

$f_{\text{ref}}$  is the frequency at the reference speed of 5 km/h or the lowest reported speed;

$v_{\text{test}}$  is the vehicle speed, actual or simulated, corresponding to the frequency  $f_{\text{speed}}$ ;

$v_{\text{ref}}$  is the vehicle speed, actual or simulated, corresponding to the frequency  $f_{\text{ref}}$ ;

The results shall be reported using the following table:

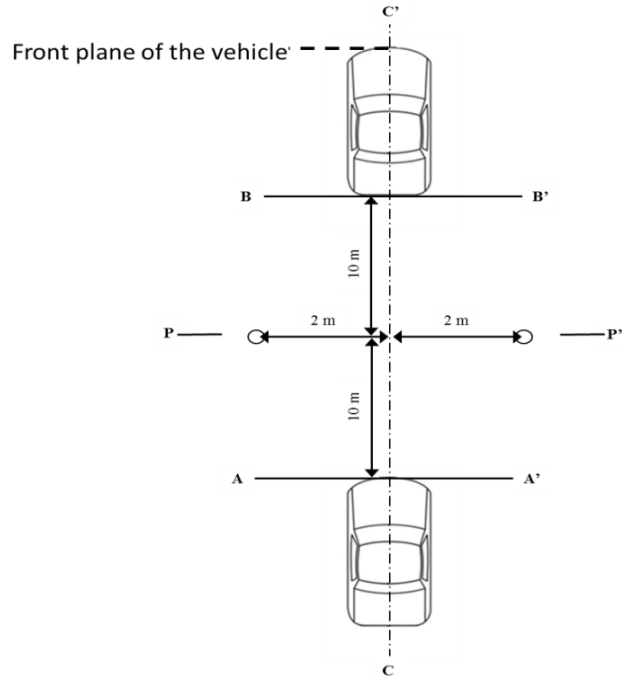
Table 5 - Report table, to be completed for each frequency analysed

		<i>Test Results at Target Speeds</i>			
		<i>5 km/h (Reference)</i>	<i>10 km/h</i>	<i>15 km/h</i>	<i>20 km/h</i>
Reported Speed	km/h				
Frequency, $f_{\text{speed}}$ , Left Side	Hz				
Frequency, $f_{\text{speed}}$ , Right Side	Hz				
Frequency Shift, Left Side	%	n.a.			
Frequency Shift, Right Side	%	n.a.			

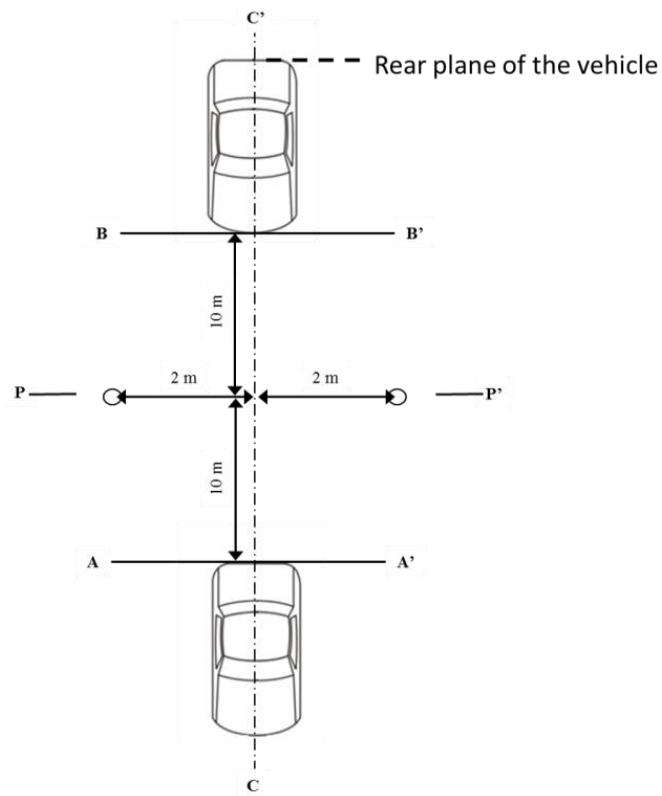
ANNEX B – APPENDIX

Figures and flowcharts

Figures 1a and 1b: Measuring positions for vehicles in motion outdoor



1a. Forward



1b. Reverse

Figures 2a and 2b: Measuring positions for vehicles in motion indoor and in standstill

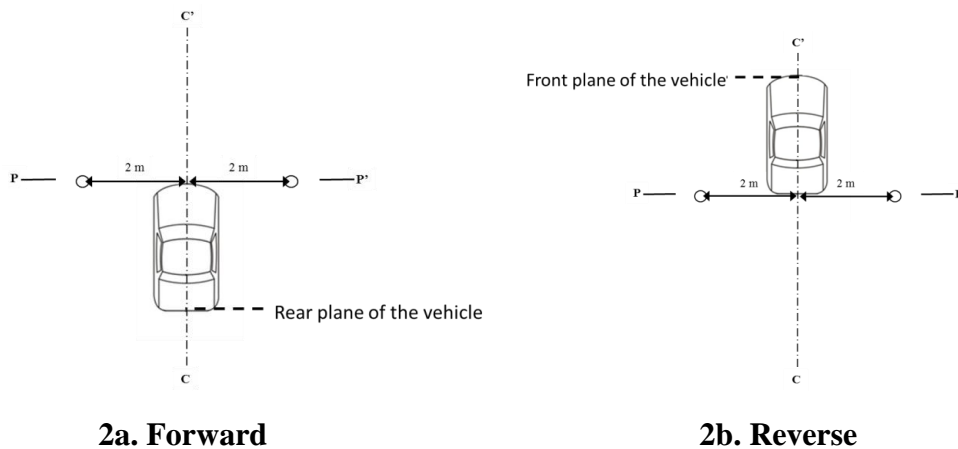


Figure 3: Minimum space to be qualified as Semi-Anechoic chamber

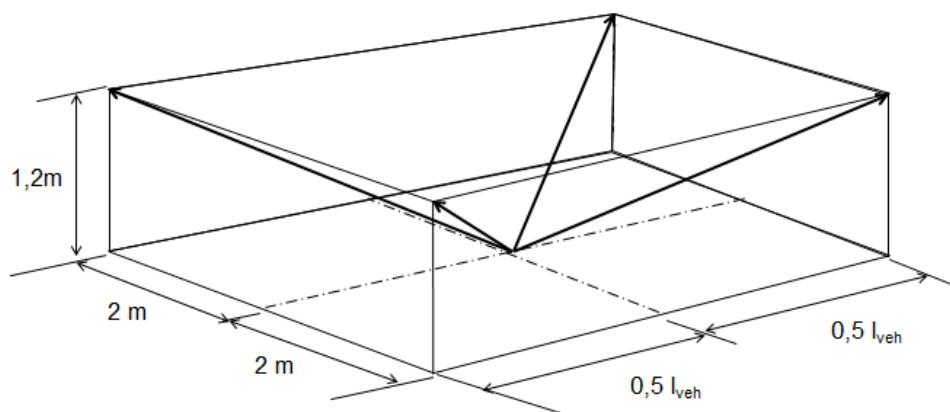


Figure 4 : Background Noise Parameter

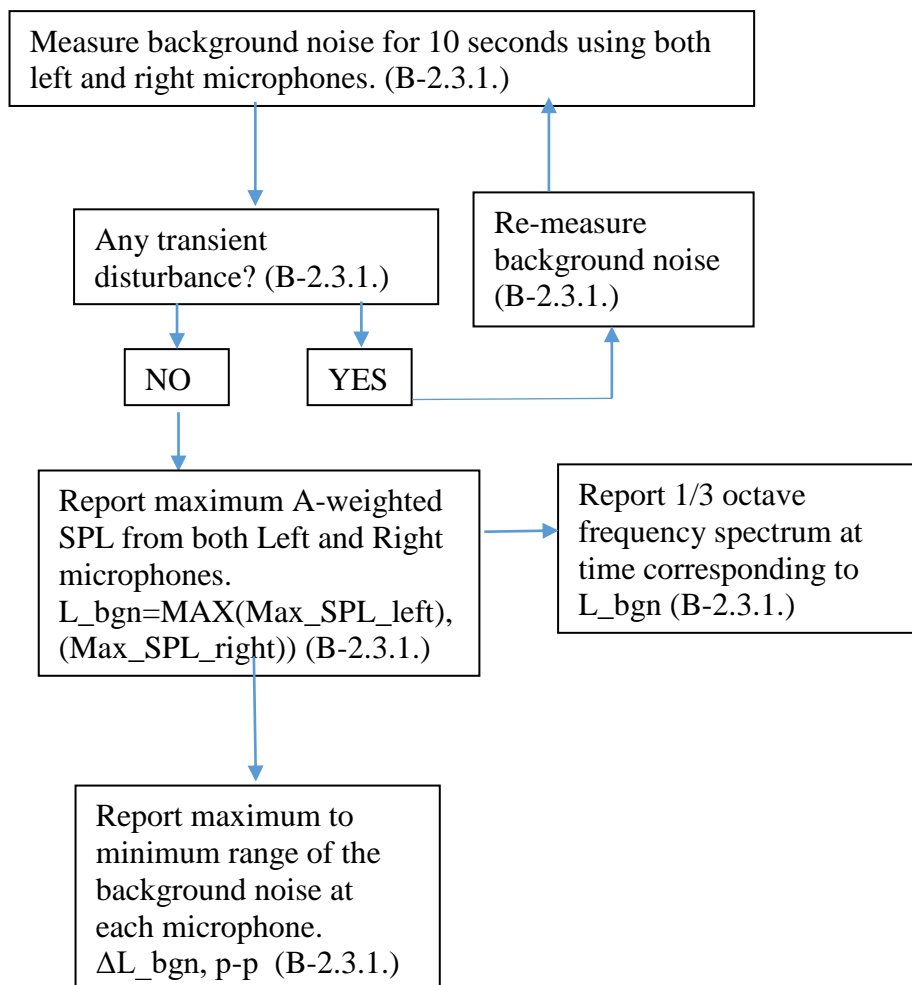


Figure 5 : Vehicle A-Weighted sound pressure level measurement correction criteria

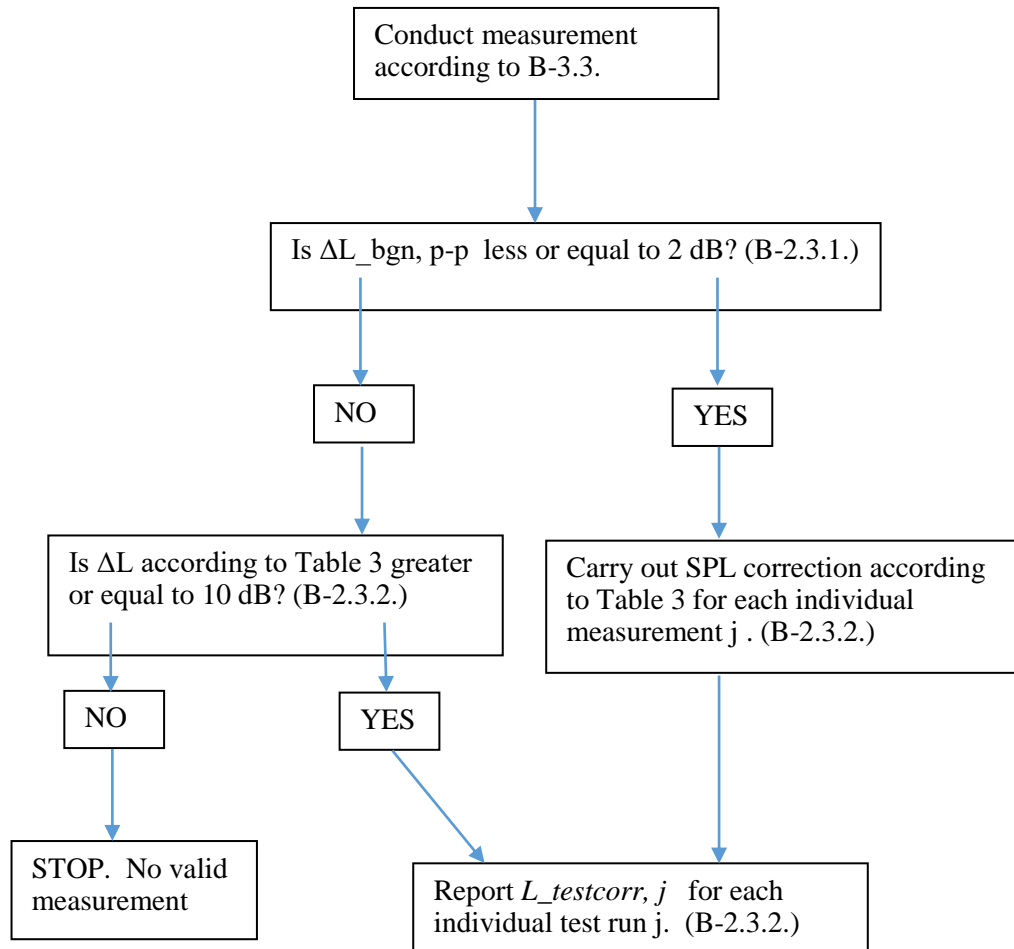


Figure 6 : Background noise requirements for analysis in one-third-octave bands

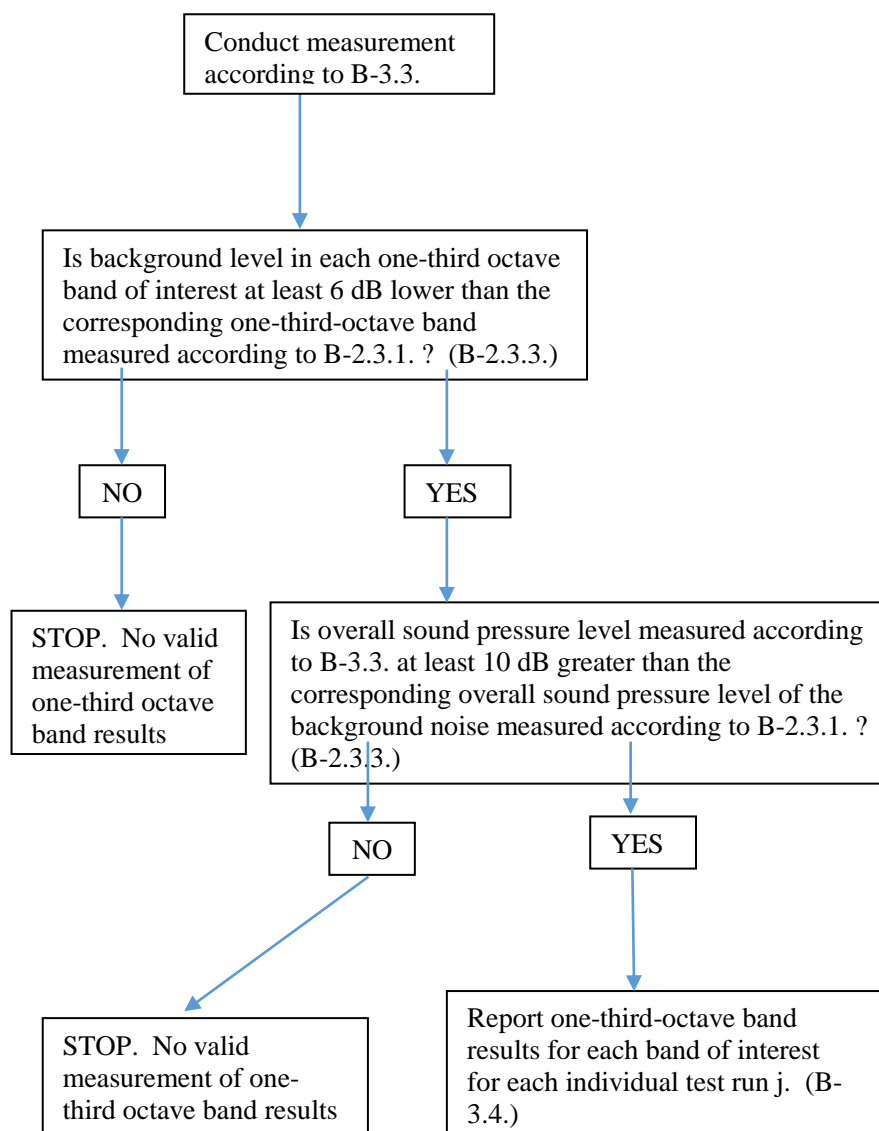




Figure 7a : Test procedures for measurement of frequency shift

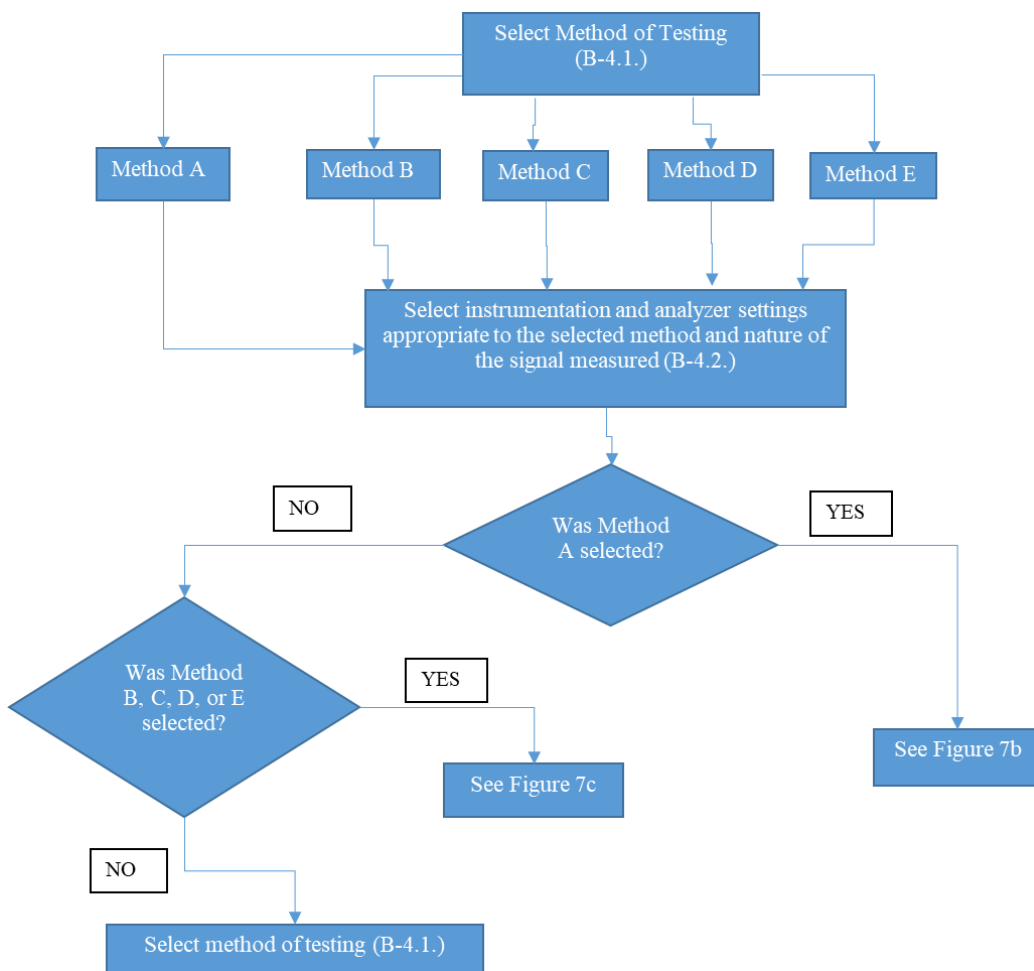


Figure 7b : Test procedures for measurement of frequency shift, Method A

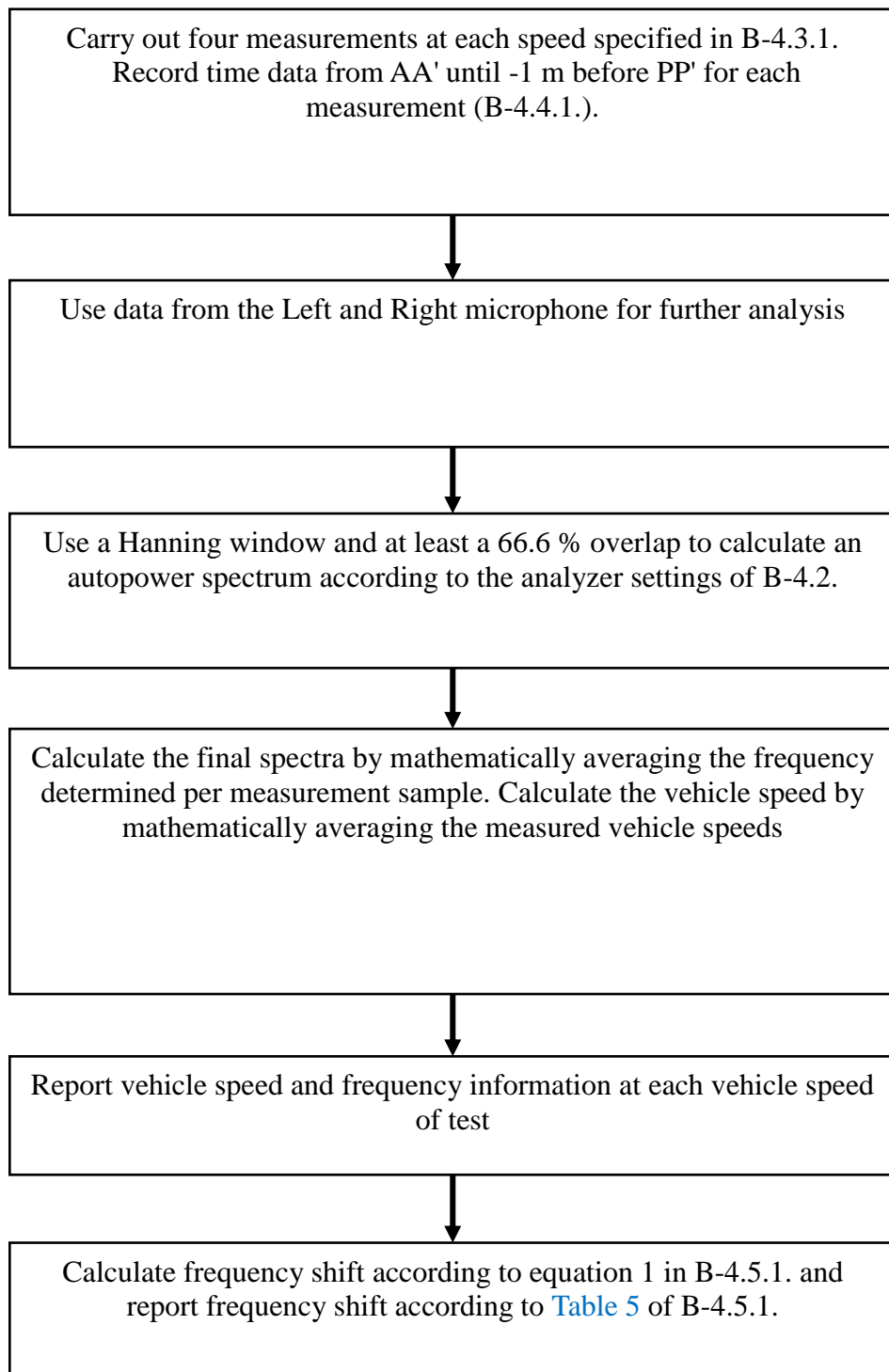
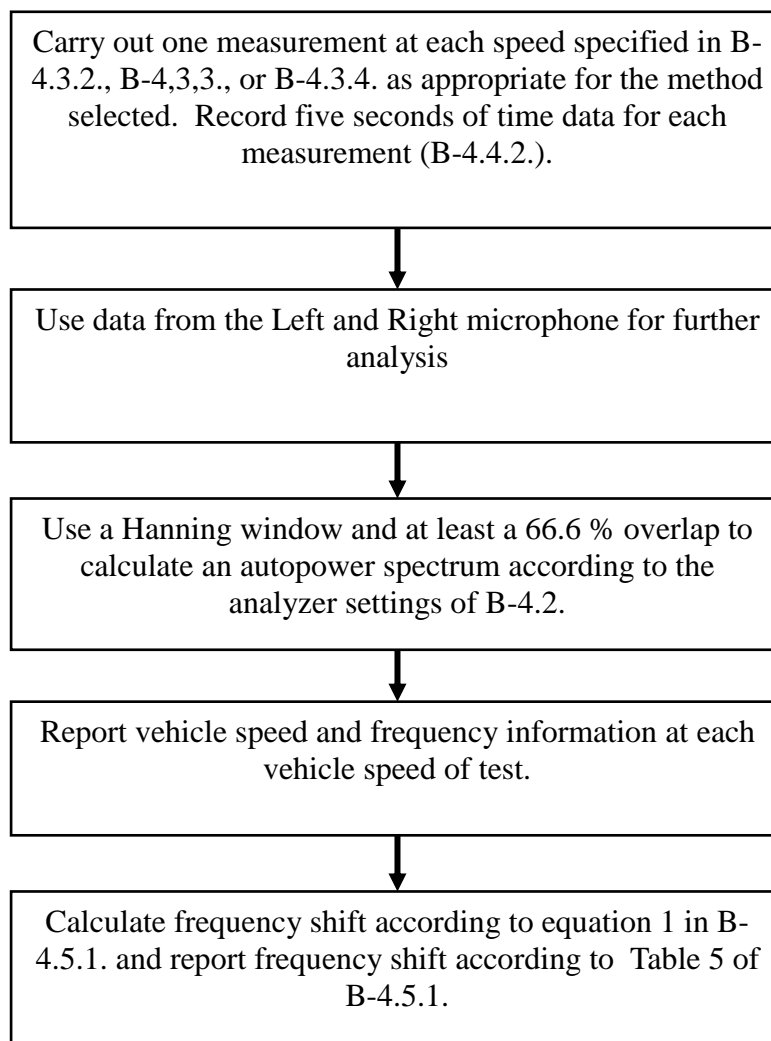


Figure 7c : Test procedures for measurement of frequency shift, Methods B, C, D, and E



**ANNEX C**  
**CRITERIA FOR EXTENSION OF APPROVAL (CEA)**

C-1.0	The verification tests are necessary for establishing compliance, in case of following changes:
C-1.1	Type of vehicle
C-1.2	Category of vehicle
C-1.3	Overall dimension of the vehicle
C-1.4	AVAS (if applicable)
C-1.4.1	Type of the AVAS (loudspeaker ...)
C-1.4.2	Make
C-1.4.3	Type
C-1.4.4	Geometrical characteristics (internal length and diameter)
C-1.4.5	Mounting location of the sound emitting device(s)
C-1.4.6	Mounting positions of the sound emitting device(s)
C-1.4.7	Materials of sound emitting device(s)
C-1.4.8	Characteristics of the parts of the structure on which the device(s) are fitted
C-1.4.9	Working voltage of sound emitting device(s)

## ANNEX D

## CLAUSE WISE REFERENCES OF ECE AND THIS STANDARD

<b>Clause Ref of this standard</b>	<b>Title</b>	<b>Corresponding Clause of UN R</b>
1.	Scope	1
2	References	NA
3	Definitions	2
4	Application for approval	3
5	Specification	6
6	Modification of Vehicle Type and Extension of Approval	7
NA	Conformity of Production	8
Annex A	Information on Technical Specifications to be submitted by the Manufacturer	Annex 1
Annex B	Methods and Instruments for Measuring the Sound Made by Motor Vehicles	Annex 3
Annex C	Criteria for Extension of Approval (CEA)	NA

**ANNEX E**  
**COMMITTEE COMPOSITION – AISC Panel**

<b>Name</b>	<b>Organization</b>
<b>Convener</b>	
Dr. N. H. Walke	The Automotive Research Association of India (ARAI)
<b>Members</b>	<b>Representing</b>
Mr. D. S. Mole	The Automotive Research Association of India (ARAI)
Mr. Pradeep D. Jawale	The Automotive Research Association of India (ARAI)
Mr Kamalesh Patil	The Automotive Research Association of India (ARAI)
Mr. Kiranpreet Singh	International Centre for Automotive Technology (ICAT)
Mr. S. N. Dhole	Central Institute of Road Transport (CIRT)
Mr. Mangesh Pathak	Central Institute of Road Transport (CIRT)
Dr. N. Karuppaiah	National Automotive Test Tracks (NATRAX)
Mr. Sagar Bendre	National Automotive Test Tracks (NATRAX)
Mr. V. Faustino	Ashok Leyland Ltd. (SIAM)
Mr. Manova L	Ashok Leyland Ltd. (SIAM)
Mr. Nikhil Desai	Mercedes-Benz India (SIAM)
Mr. R Prasath	Mahindra and Mahindra Ltd. (SIAM)
Mr. Shailesh K	Mahindra and Mahindra Ltd. (SIAM)
Dr. Arunkumar Sampath	Mahindra Electric Mobility Limited (SIAM)
Mr. K. Kiran Kumar	Mahindra Electric Mobility Limited (SIAM)
Mr. P S Gowrishankar	Tata Motors Ltd. (SIAM)
Mr. Dhanaji Kalsule	Tata Motors Ltd. (SIAM)
Mr. Vijeth R Gatty	Toyota Kirloskar Motor Pvt. Ltd. (SIAM)
Mr. Raju M.	Toyota Kirloskar Motor Pvt. Ltd. (SIAM)
Mr. Gururaj Ravi	Maruti Suzuki India Ltd. (SIAM)
Mr. Raj Kumar Diwedi	Maruti Suzuki India Ltd. (SIAM)
Mr. Saahil Saxena	VE Commercial Vehicles Ltd. (SIAM)
Mr. C. Venkatesh	VE Commercial Vehicles Ltd. (SIAM)
Mr. Shiddhanta K. Srivastava	Honda Cars India Ltd. (SIAM)
Mr. S. Muthu Kumar	Honda Cars India Ltd. (SIAM)
Mr. Sandeep Miskeen	Honda Motorcycle & Scooter India (SIAM)
Mr. Vipin Sharma	Honda Motorcycle & Scooter India (SIAM)
Mr. Feroz Ali Khan	Hero MotoCorp Limited (SIAM)
Mr. Deepesh Mutke	Hero MotoCorp Limited (SIAM)
Mr. Adish Aggarwal	Bajaj Auto Limited (SIAM)
Dr. George Vadekkel	TVS Motor Company Limited (SIAM)

Mr. Hari Ganesh	TVS Motor Company Limited (SIAM)
Mr. Rajendra Khile	Renault Nissan Technology & Business Centre India (SIAM)
Mr. Vijay Dinakaran	Renault Nissan Technology & Business Centre India (SIAM)
Mr. Mohit Gupta	SML ISUZU Limited (SIAM)
Mr. Makarand Brahme	SKODA AUTO Volkswagen India (SIAM)
Ms. Aditi Deshpande	SKODA AUTO Volkswagen India (SIAM)
Mr. Prakaash Jayakumar	Ather Energy Pvt. Ltd. (SMEV)
Mrs. Aditi Nandanwar	Ather Energy Pvt. Ltd. (SMEV)
Mr. Uday Harite	Automotive Component Manufacturers Association (ACMA)

**ANNEX F**  
**COMMITTEE COMPOSITION – AISC**

<b>Chairperson</b>	
Dr. Reji Mathai	Director, The Automotive Research Association of India,
<b>Members</b>	<b>Representing</b>
Representative from	Ministry of Road Transport and Highways
Representative from	Ministry of Heavy Industries
Representative from	Office of the Development Commissioner, MSME, Ministry of Micro, Small and Medium Enterprises,
Shri Shrikant R. Marathe	Former Chairman, AISC
Shri R.R. Singh	Bureau of Indian Standards
Director	Central Institute of Road Transport
Director	Global Automotive Research Centre
Director	International Centre for Automotive Technology
Director	Indian Institute of Petroleum
Director	Vehicles Research and Development Establishment
Director	Indian Rubber Manufacturers Research Association
Representatives from	Society of Indian Automobile Manufacturers
Representatives from	The Tractor and Mechanization Association
Shri Uday Harite	Automotive Components Manufacturers Association of India
Shri K. V. Krishnamurthy	Indian Construction Equipment Manufactures' Association (ICEMA)
<b>Member Secretary</b>	
Shri Vikram Tandon	The Automotive Research Association of India